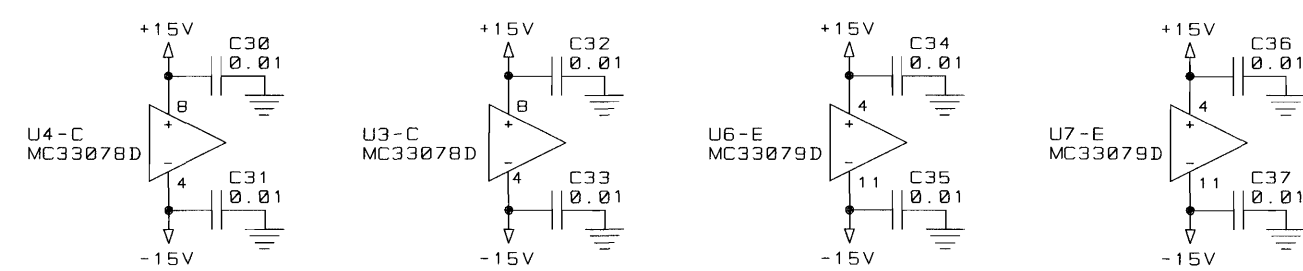
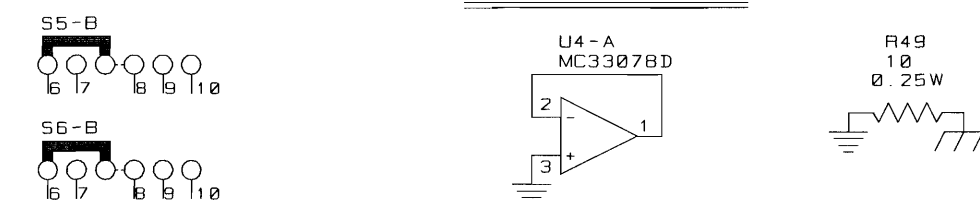


BYPASS CAPACITORS



UNUSED ELEMENTS



- NOTES:
1. ALL RESISTORS ARE IN OHMS. 0.10W, 1% UNLESS OTHERWISE SPECIFIED.
 2. ALL CAPACITORS ARE IN MICROFARADS UNLESS OTHERWISE SPECIFIED.

INACTIVE
 For Reference Use Only
 Document Has Been Replaced
 with a Newer Version

UNCONTROLLED		THESE DRAWINGS AND SPECIFICATIONS ARE THE PROPERTY OF CROWN INTERNATIONAL, INC. AND SHALL NOT BE REPRODUCED, COPIED, OR USED AS THE BASIS FOR THE MANUFACTURE OR SALE OF APPARATUS OR DEVICES WITHOUT PERMISSION.		SIZE	DWG NO.	REV
				C	126828-7	A
		SCALE	NONE	PROJ NO.	MD425D0	SHEET 8 OF 8

F

E

D

C

B

A

F

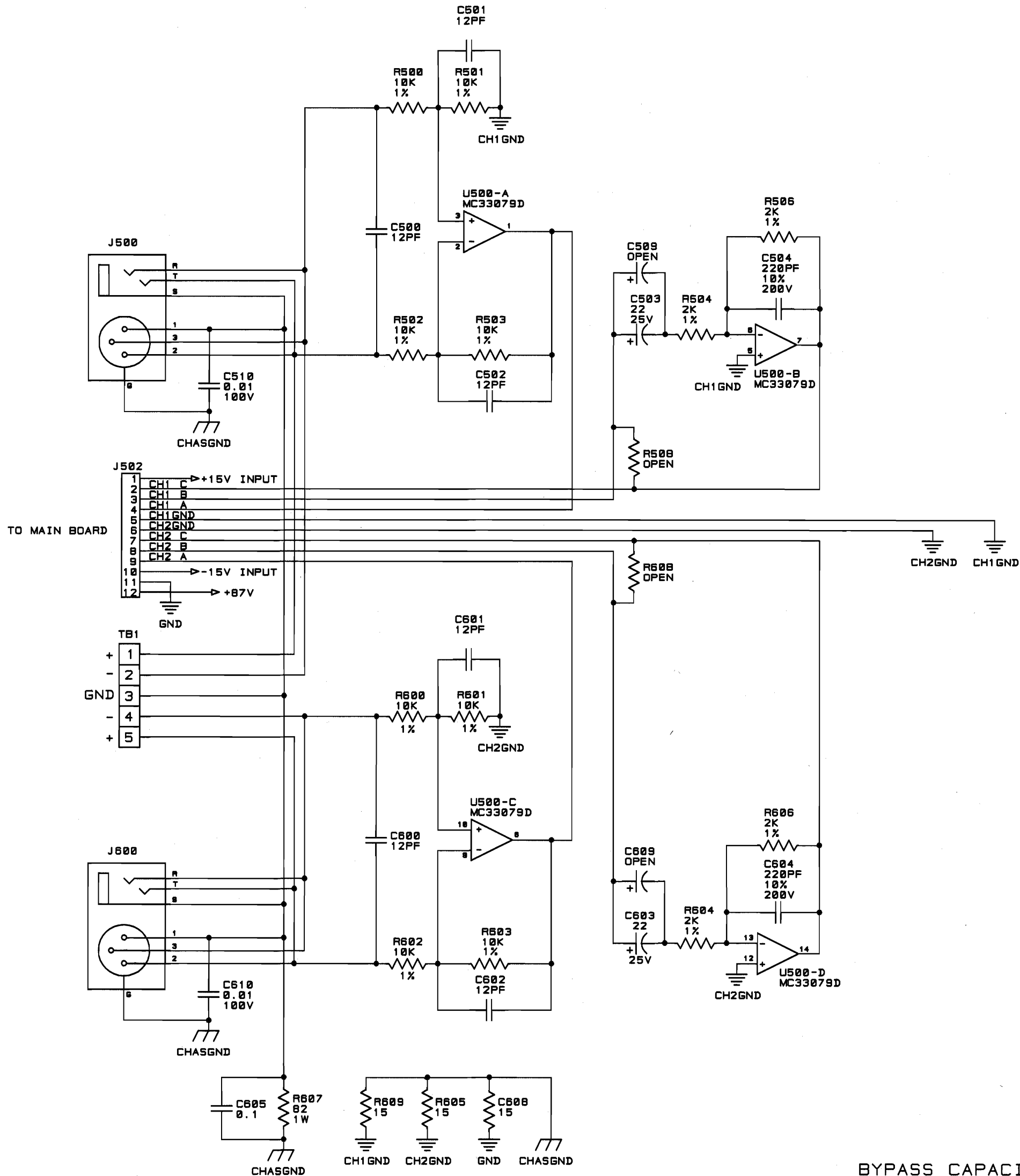
E

D

C

B

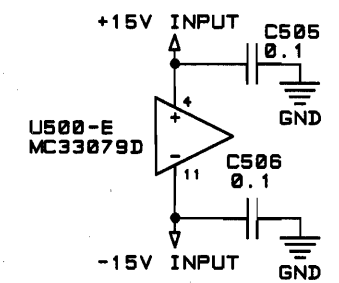
A



LAST USED	OBSOLETE
C510	C507, C508
C610	C606, C607
J502	J501
J600	
R506	R505, R507
R606	
TB1	
U500	

- NOTES:
- UNLESS OTHERWISE SPECIFIED: ALL RESISTORS ARE IN OHMS. 1/10W, 5%
 - UNLESS OTHERWISE SPECIFIED: ALL CAPACITORS ARE IN MICROFARADS.

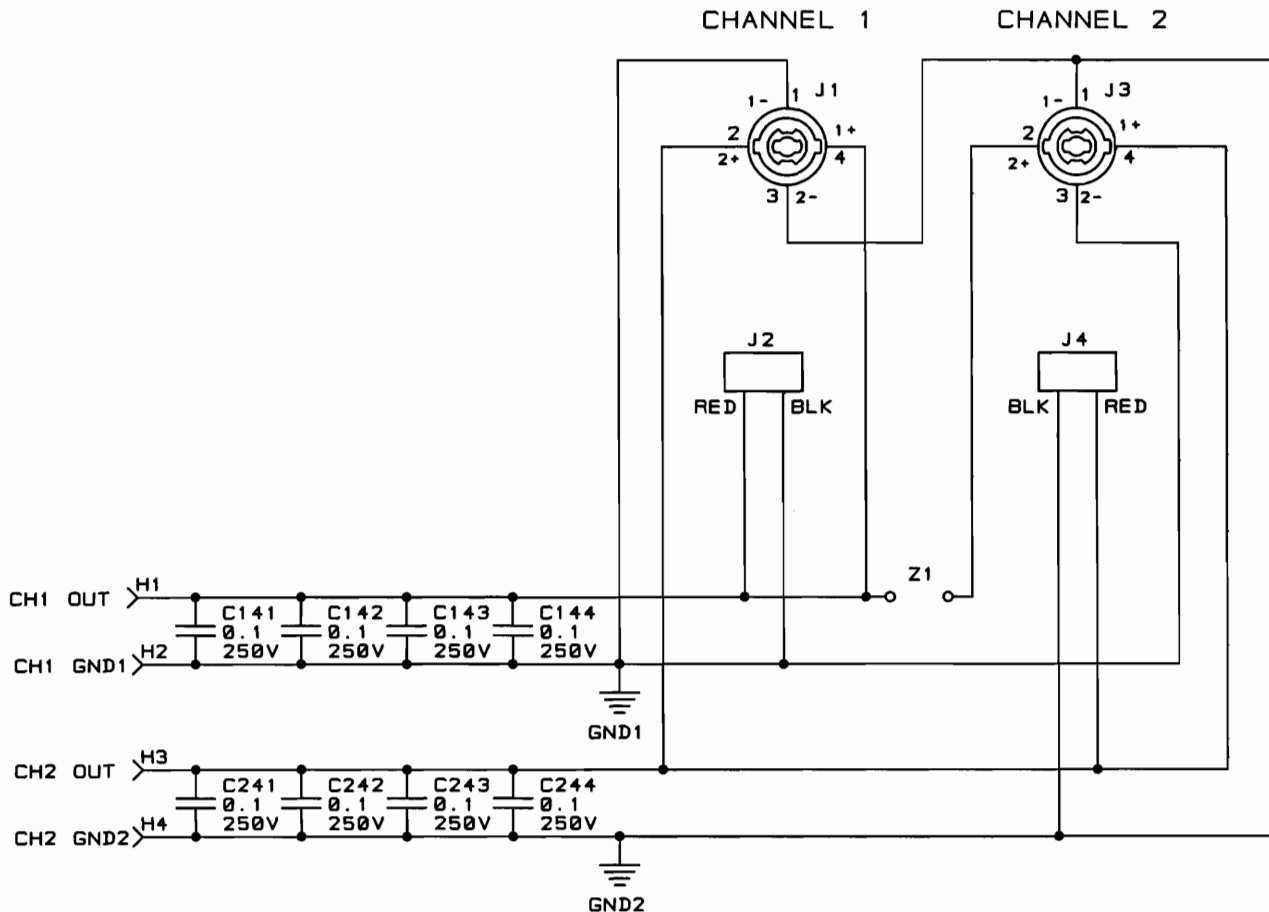
BYPASS CAPACITORS



CROWN INTERNATIONAL, INC.
 1718 W. MISHAWAKA RD. ELKHART IN. 46517 PHONE (219) 294-8000

THESE DRAWINGS AND SPECIFICATIONS ARE THE PROPERTY OF CROWN INTERNATIONAL, INC. AND SHALL NOT BE REPRODUCED, COPIED, OR USED AS THE BASIS FOR THE MANUFACTURE OR SALE OF APPARATUS OR DEVICES WITHOUT PERMISSION.

SCALE	NONE	DWG. NO.	SHEET 5 OF 5	REV
PROJ. #	MD39008	126883-4		(A)

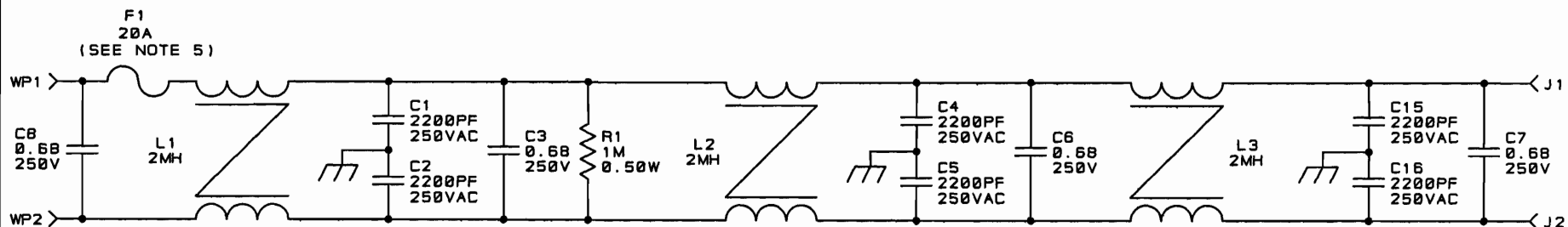


UNCONTROLLED

UNLESS OTHERWISE MARKED IN RED INK BY CM AS A CONTROLLED COPY, COPIES OF THESE DOCUMENTS INCLUDING ASSOCIATED ELECTRONIC REPRODUCTIONS ARE FOR REFERENCE ONLY.

THESE DRAWINGS AND SPECIFICATIONS ARE THE PROPERTY OF CROWN INTERNATIONAL, INC. AND SHALL NOT BE REPRODUCED, COPIED, OR USED AS THE BASIS FOR THE MANUFACTURE OR SALE OF APPARATUS OR DEVICES WITHOUT PERMISSION.

SIZE A	DWG NO. 127820-3	REV A
SCALE NONE	PROJ NO. MD425D0	SHEET 6 OF 6



NOTES:

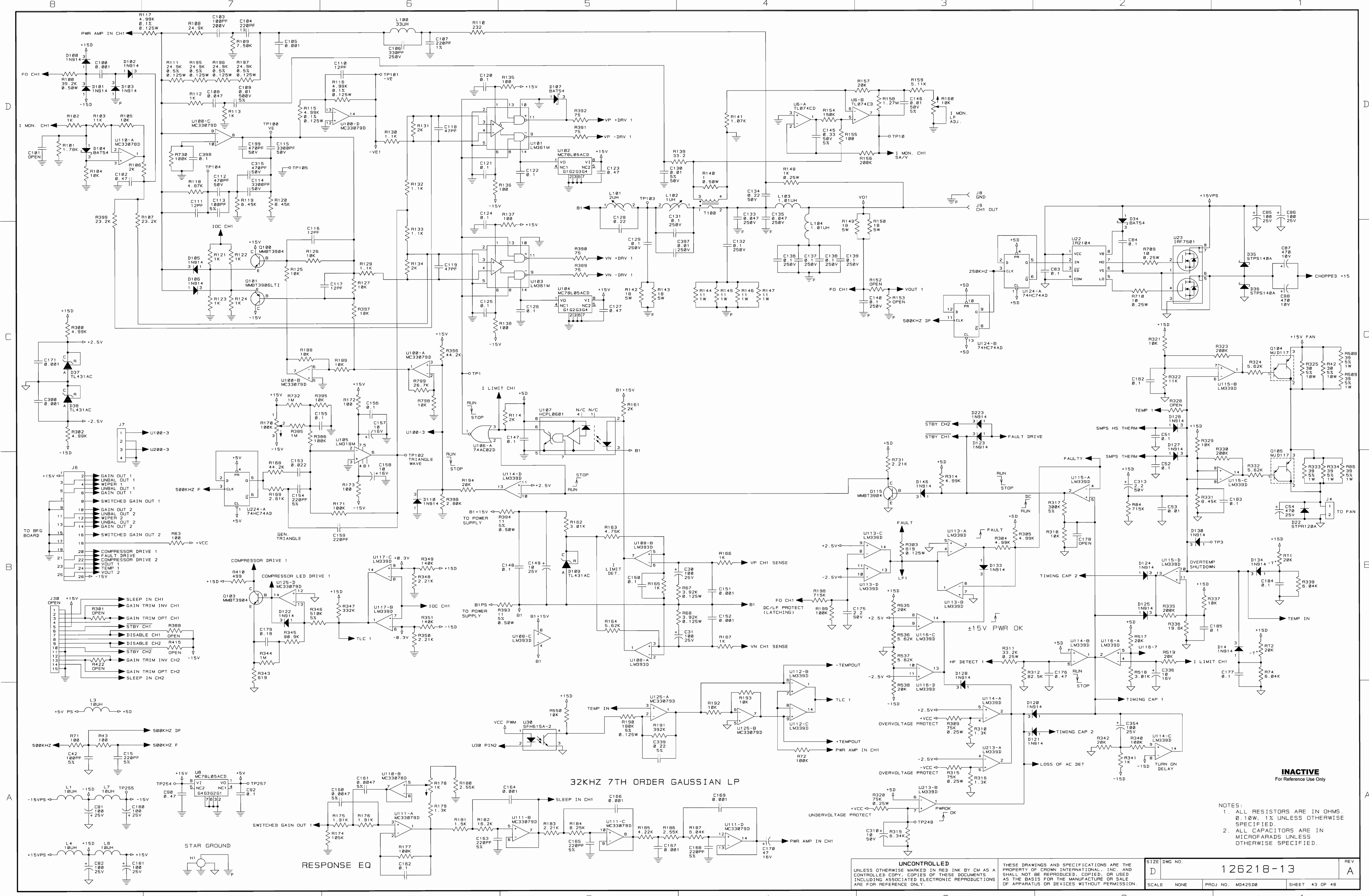
1. ALL RESISTORS ARE IN OHMS.
.25W, 1% UNLESS OTHERWISE SPECIFIED.
2. ALL CAPACITORS ARE IN MICROFARADS UNLESS OTHERWISE SPECIFIED.

UNCONTROLLED

UNLESS OTHERWISE MARKED IN RED INK BY CM AS A CONTROLLED COPY, COPIES OF THESE DOCUMENTS INCLUDING ASSOCIATED ELECTRONIC REPRODUCTIONS ARE FOR REFERENCE ONLY.

THESE DRAWINGS AND SPECIFICATIONS ARE THE PROPERTY OF CROWN INTERNATIONAL, INC. AND SHALL NOT BE REPRODUCED, COPIED, OR USED AS THE BASIS FOR THE MANUFACTURE OR SALE OF APPARATUS OR DEVICES WITHOUT PERMISSION.

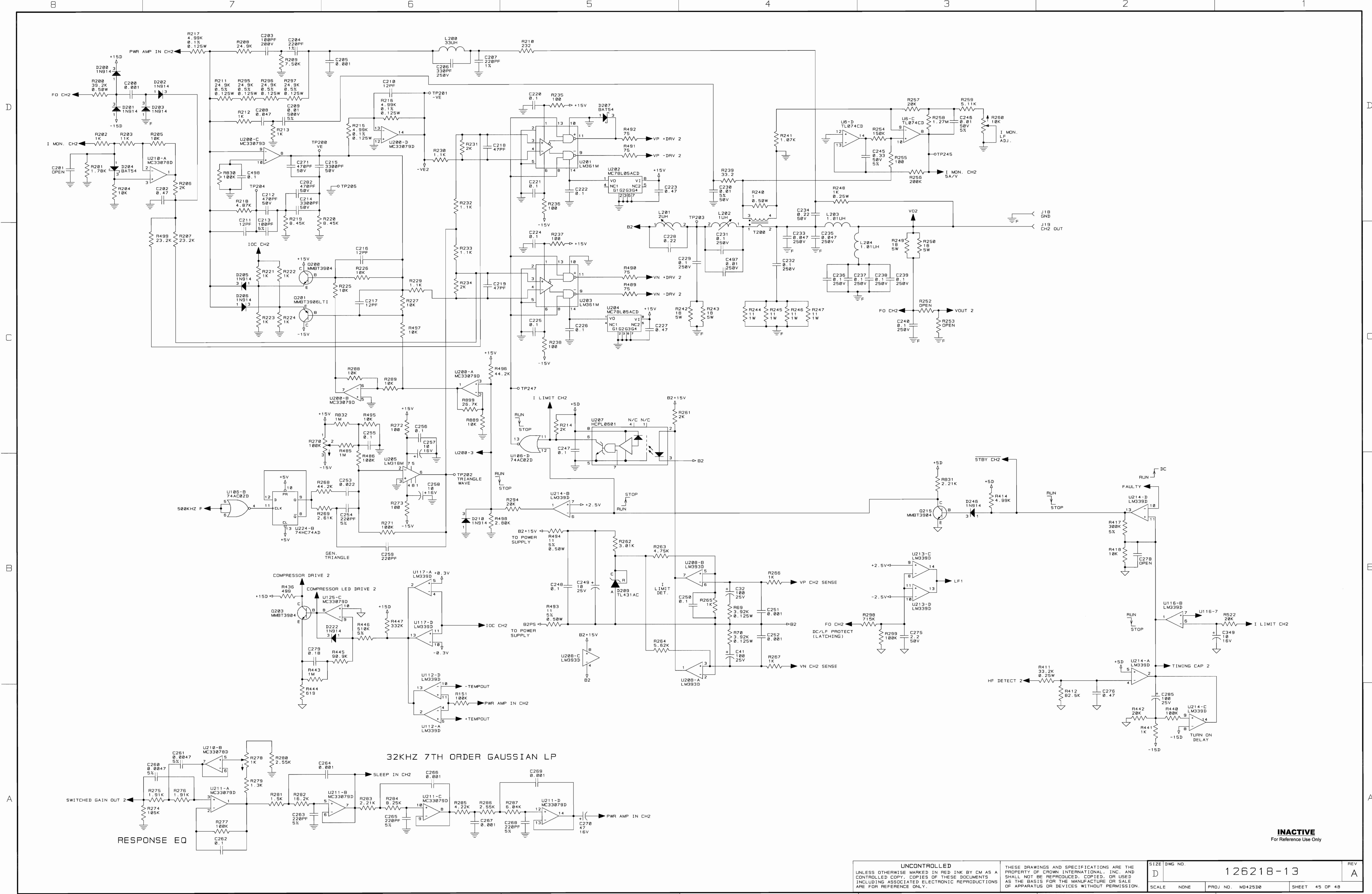
SIZE	DWG NO.	REV
A	128243-6	A
SCALE	NONE	PROJ NO. MD425D0 SHEET 5 OF 5



INACTIVE
For Reference Use Only

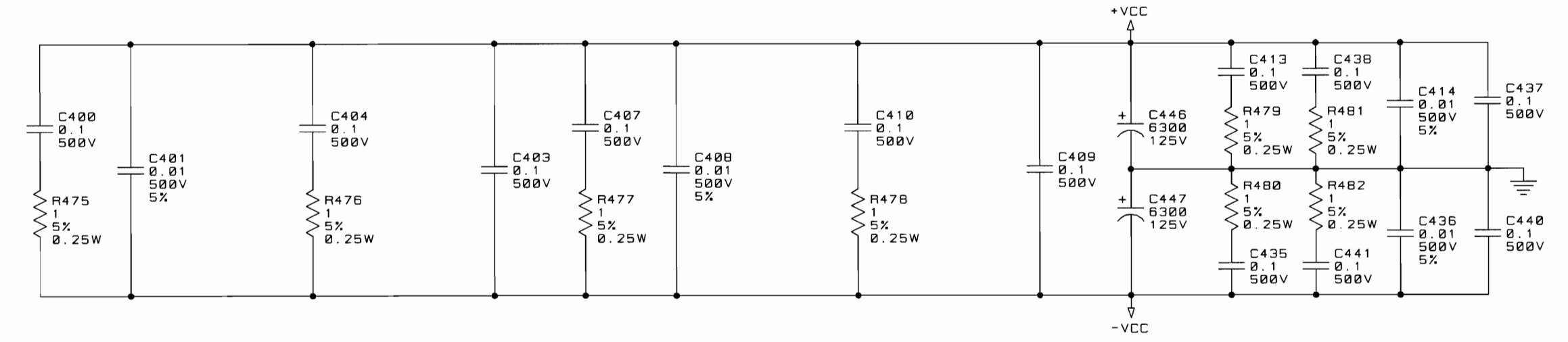
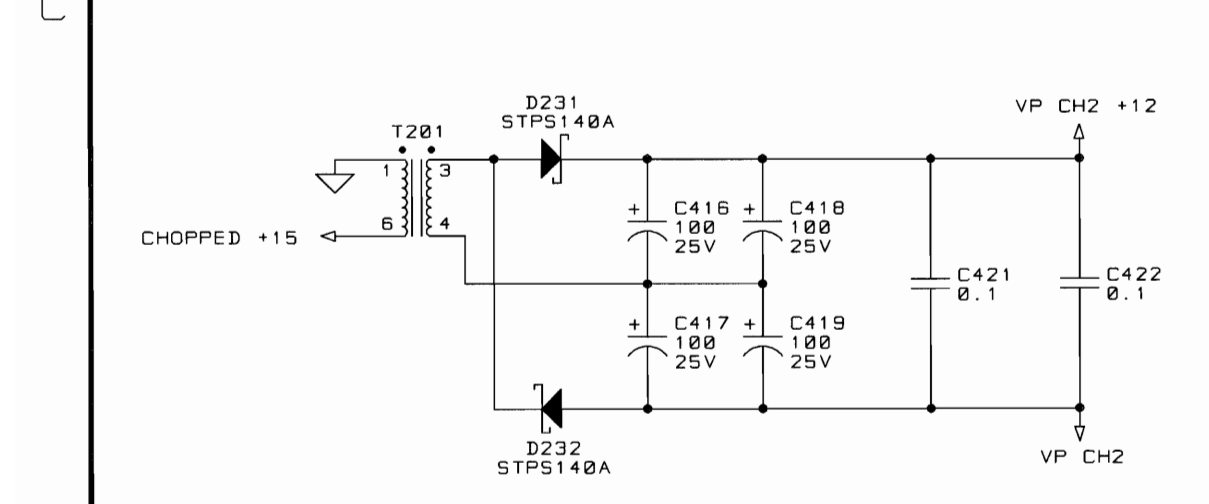
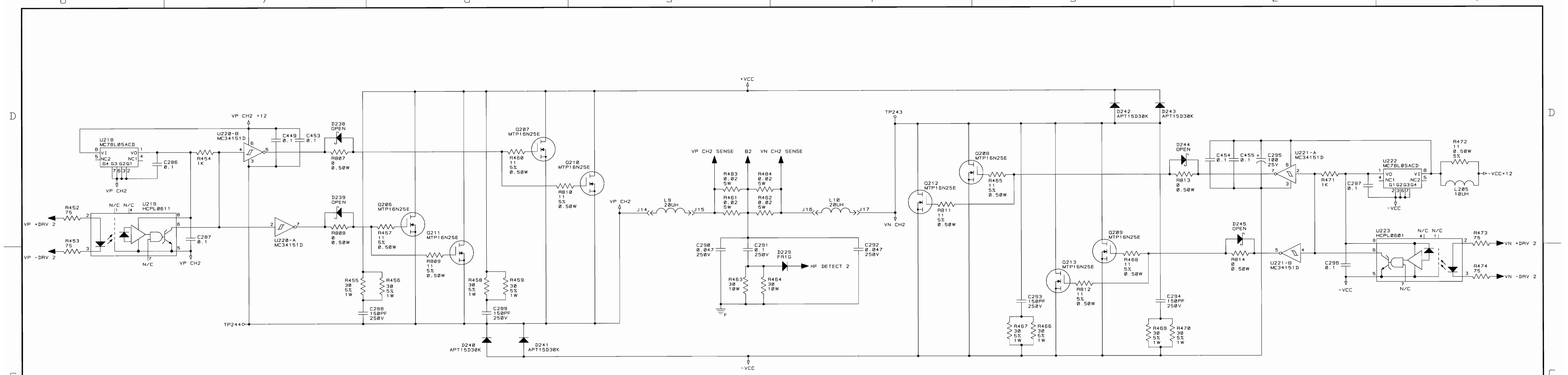
NOTES:
 1. ALL RESISTORS ARE IN OHMS. 0.10W, 1% UNLESS OTHERWISE SPECIFIED.
 2. ALL CAPACITORS ARE IN MICROFARADS UNLESS OTHERWISE SPECIFIED.

UNCONTROLLED		UNLESS OTHERWISE MARKED IN RED INK BY CM AS A CONTROLLED COPY. COPIES OF THESE DOCUMENTS INCLUDING ASSOCIATED ELECTRONIC REPRODUCTIONS ARE FOR REFERENCE ONLY.		THESE DRAWINGS AND SPECIFICATIONS ARE THE PROPERTY OF CROWN INTERNATIONAL, INC. AND SHALL NOT BE REPRODUCED, COPIED, OR USED AS THE BASIS FOR THE MANUFACTURE OR SALE OF APPARATUS OR DEVICES WITHOUT PERMISSION.	
SIZE	DWS NO.	126218-13		REV	A
SCALE	NONE	PROJ NO.	MD425D8	SHEET 43 OF 48	



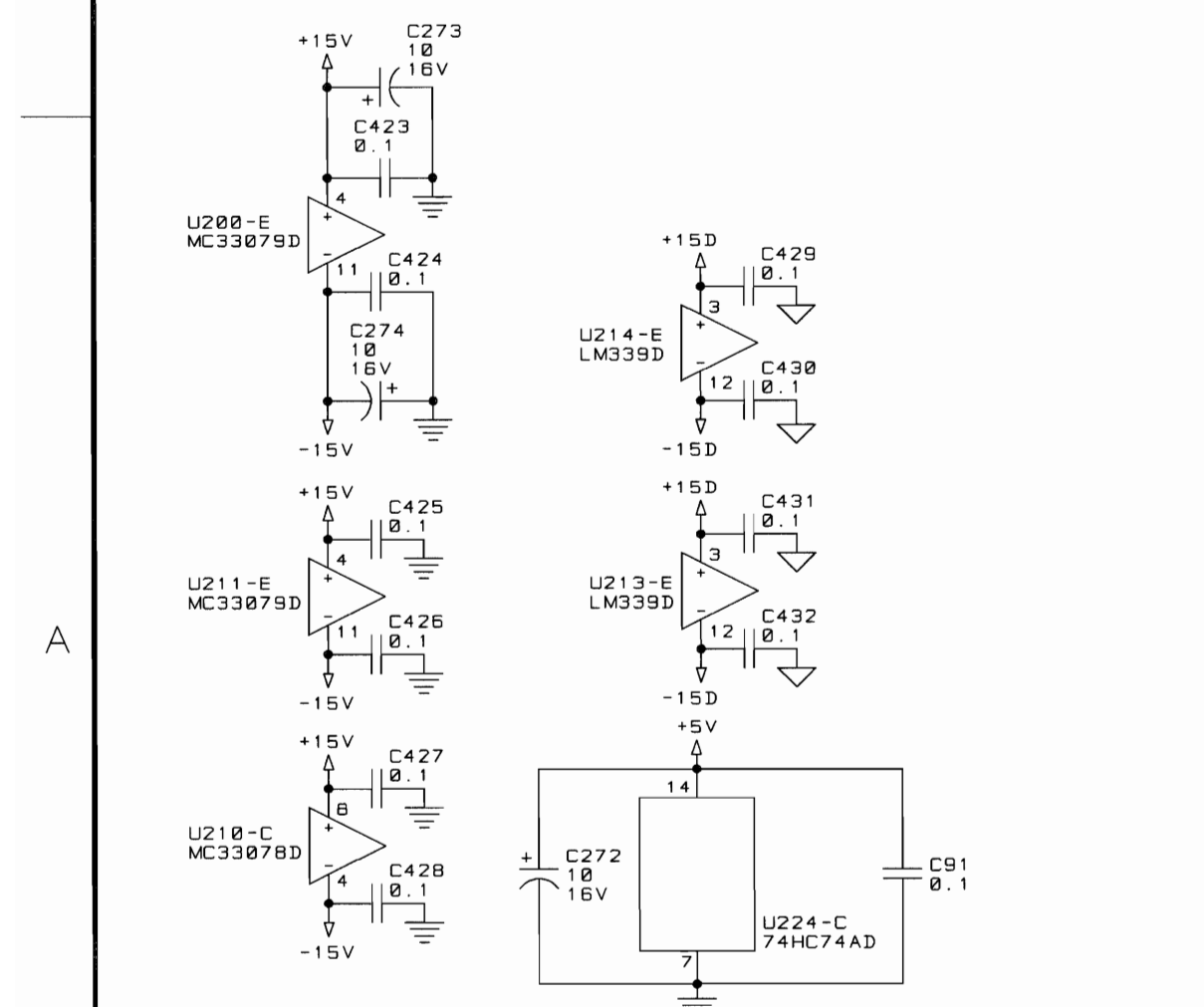
INACTIVE
For Reference Use Only

UNCONTROLLED		UNLESS OTHERWISE MARKED IN RED INK BY CM AS A CONTROLLED COPY, COPIES OF THESE DOCUMENTS INCLUDING ASSOCIATED ELECTRONIC REPRODUCTIONS ARE FOR REFERENCE ONLY.		THESE DRAWINGS AND SPECIFICATIONS ARE THE PROPERTY OF CROWN INTERNATIONAL, INC. AND SHALL NOT BE REPRODUCED, COPIED, OR USED AS THE BASIS FOR THE MANUFACTURE OR SALE OF APPARATUS OR DEVICES WITHOUT PERMISSION.		SIZE	DWG NO.	REV
D	NONE	126218-13	A	SCALE	PROJ NO.	MD425D0	SHEET	45 OF 48



CHANNEL 2
BYPASS CAPACITORS

CHANNEL 2
UNUSED ELEMENTS

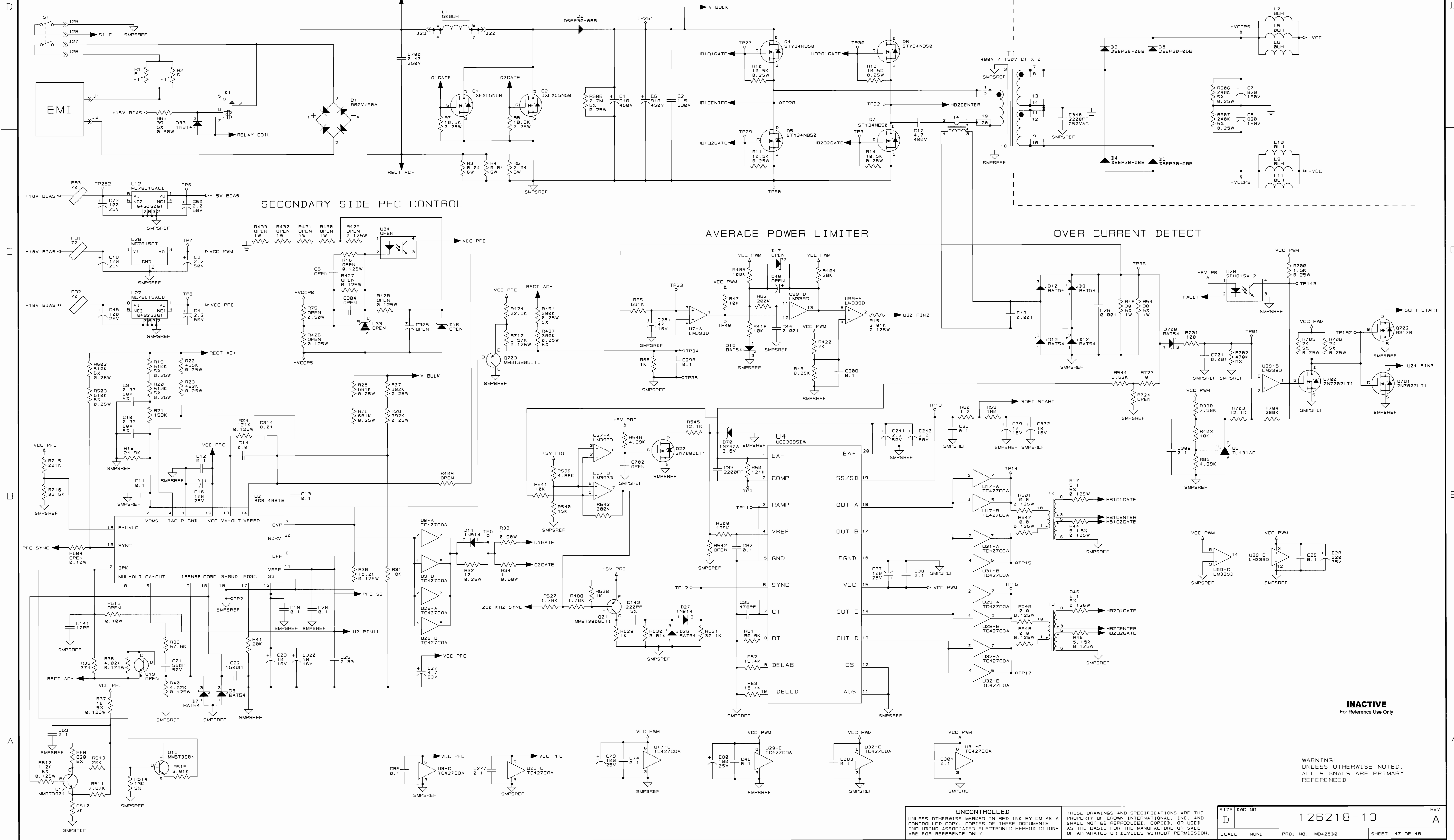


INACTIVE
For Reference Use Only

UNCONTROLLED		THESE DRAWINGS AND SPECIFICATIONS ARE THE PROPERTY OF CROWN INTERNATIONAL, INC., AND SHALL NOT BE REPRODUCED, COPIED, OR USED AS THE BASIS FOR THE MANUFACTURE OR SALE OF APPARATUS OR DEVICES WITHOUT PERMISSION.		SIZE	DWG NO.	REV
UNLESS OTHERWISE MARKED IN RED INK BY CM AS A CONTROLLED COPY, COPIES OF THESE DOCUMENTS INCLUDING ASSOCIATED ELECTRONIC REPRODUCTIONS ARE FOR REFERENCE ONLY.		D	126218-13	A		
SCALE	NONE	PROJ. NO.	MD425D8	SHEET	46 OF 48	

PRIMARY

SECONDARY

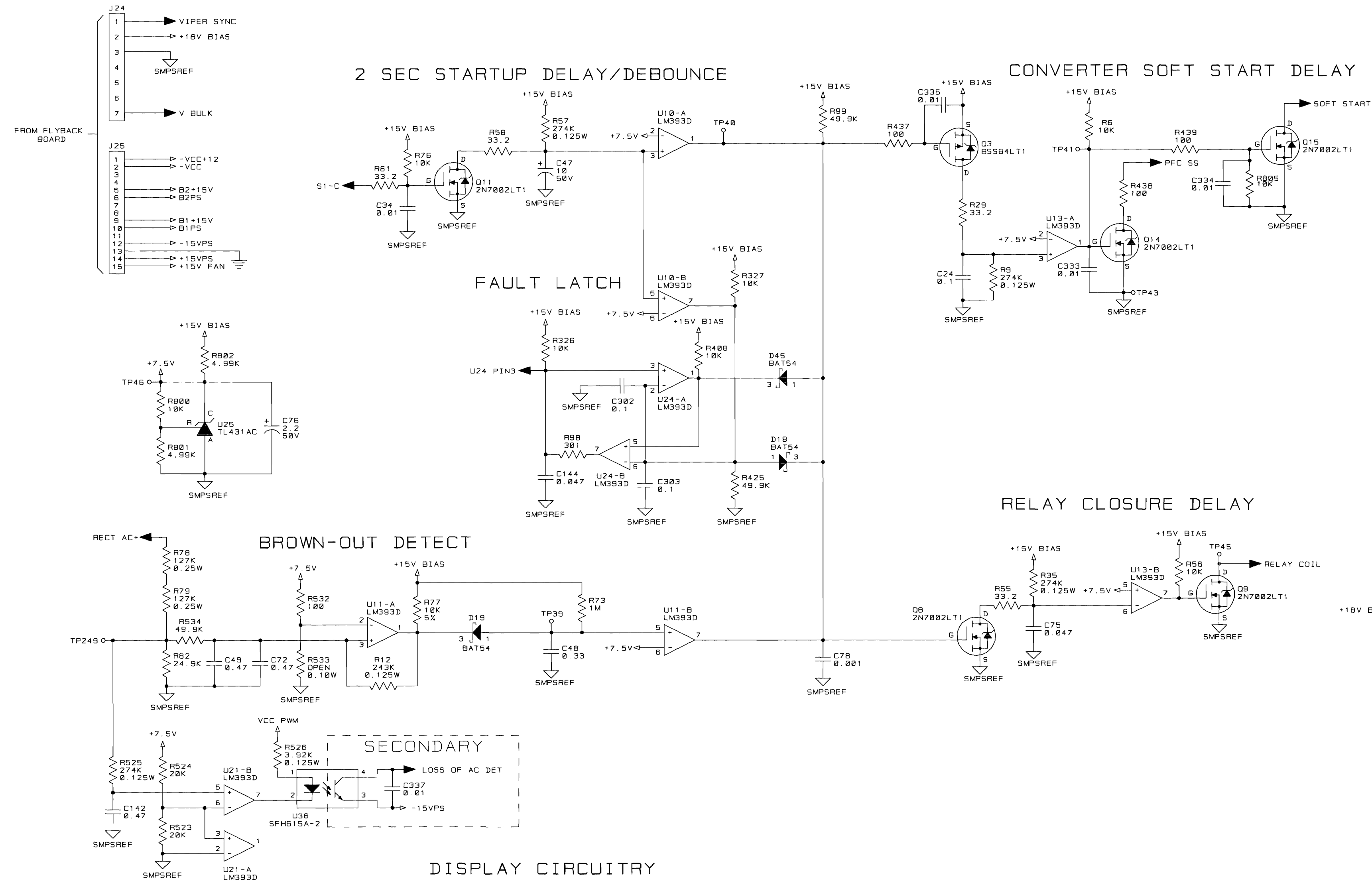


INACTIVE
For Reference Use Only

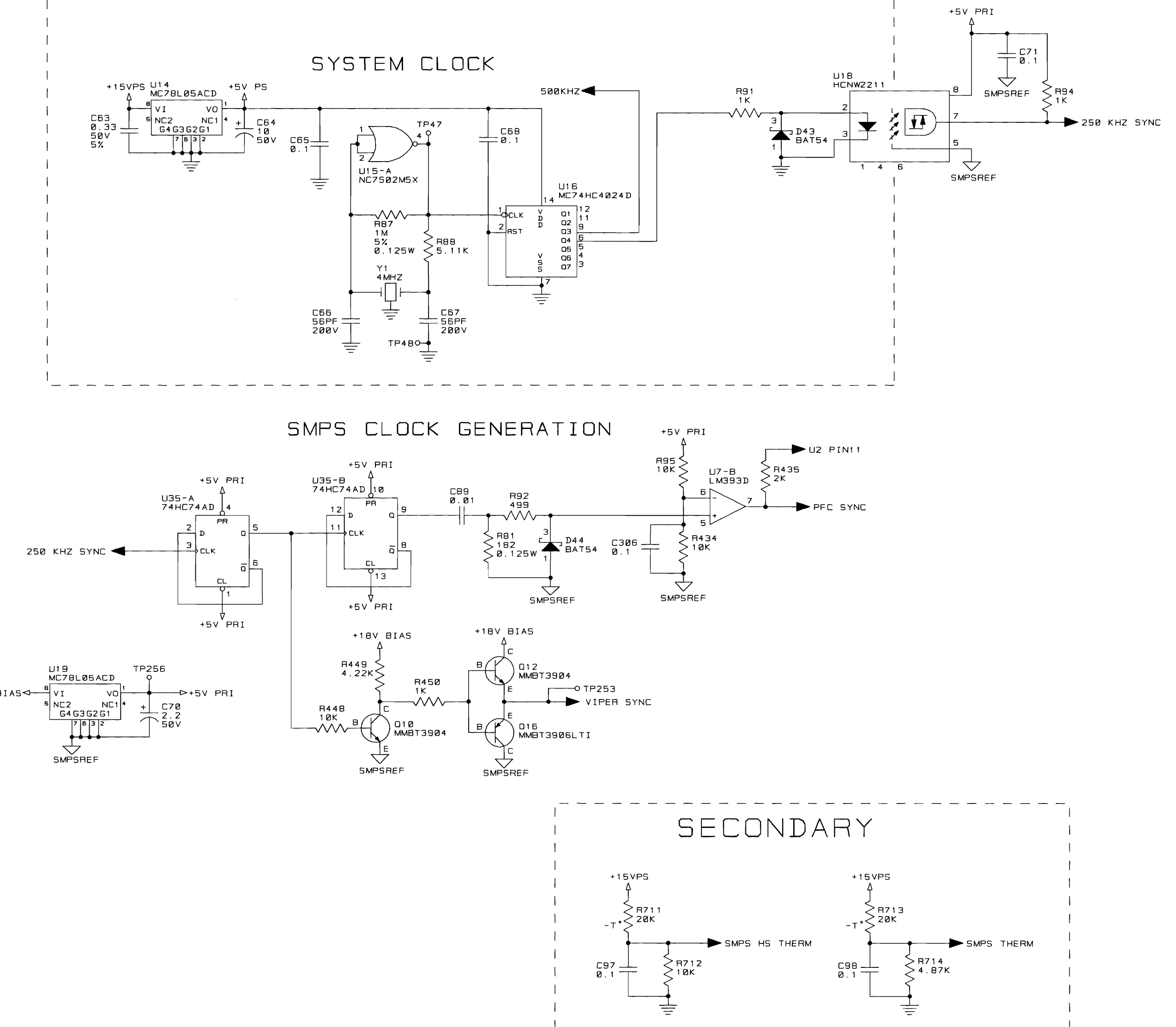
WARNING!
UNLESS OTHERWISE NOTED,
ALL SIGNALS ARE PRIMARY
REFERENCED

UNCONTROLLED		THIS DRAWING AND SPECIFICATIONS ARE THE PROPERTY OF CROWN INTERNATIONAL, INC. AND SHALL NOT BE REPRODUCED, COPIED, OR USED AS THE BASIS FOR THE MANUFACTURE OR SALE OF APPARATUS OR DEVICES WITHOUT PERMISSION.		SIZE	DWG NO.	REV
UNLESS OTHERWISE MARKED IN RED INK BY EM AS A CONTROLLED COPY, COPIES OF THESE DOCUMENTS INCLUDING ASSOCIATED ELECTRONIC REPRODUCTIONS ARE FOR REFERENCE ONLY.		SCALE	NONE	PROJ. NO.	MD425D8	47 OF 48
				126218-13		A

SMPS STARTUP CIRCUITRY

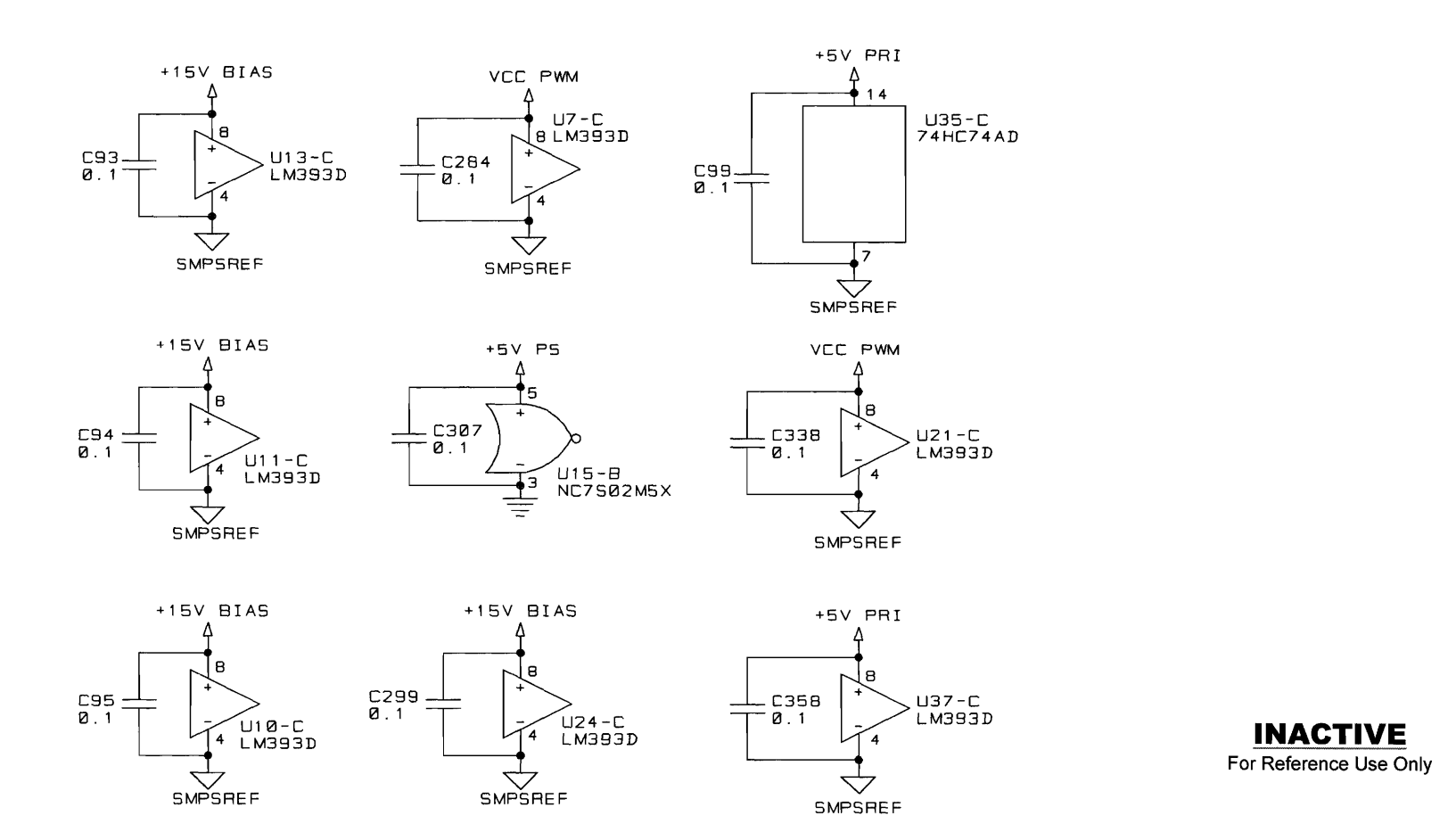


SECONDARY



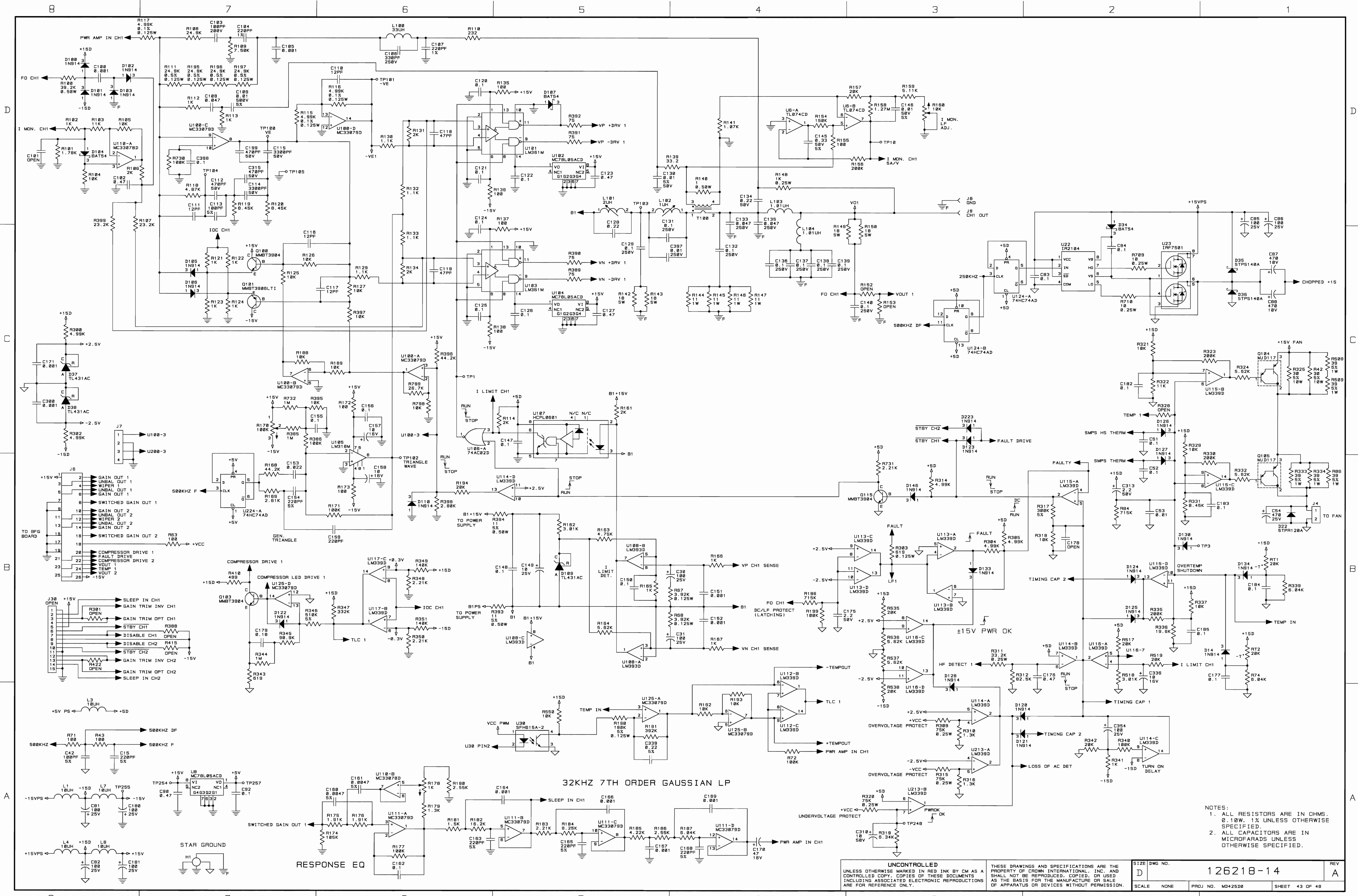
BYPASS CAPACITORS

UNUSED ELEMENT



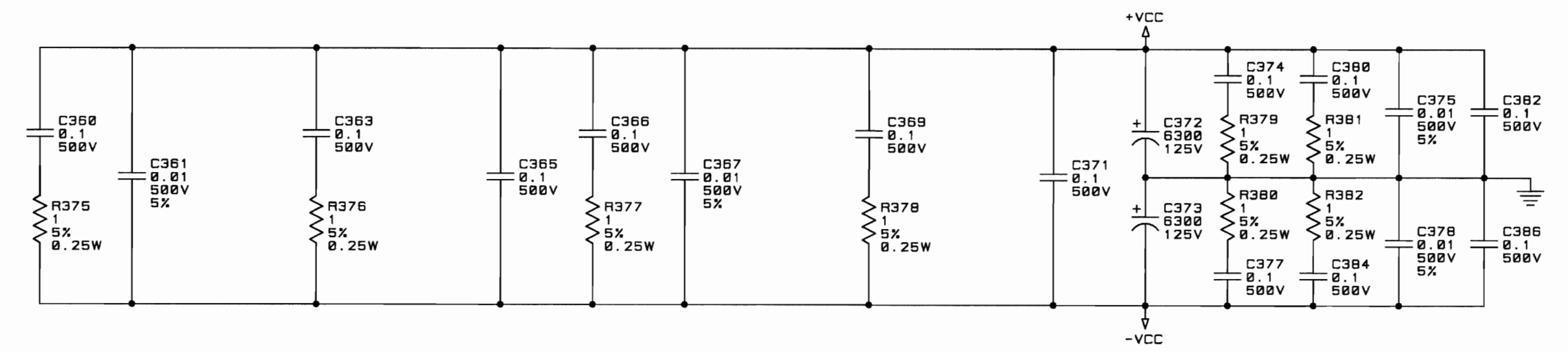
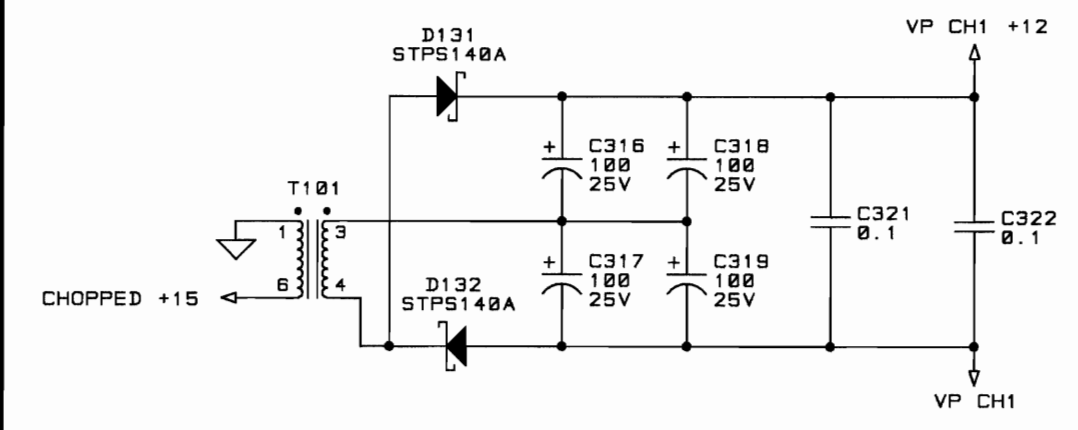
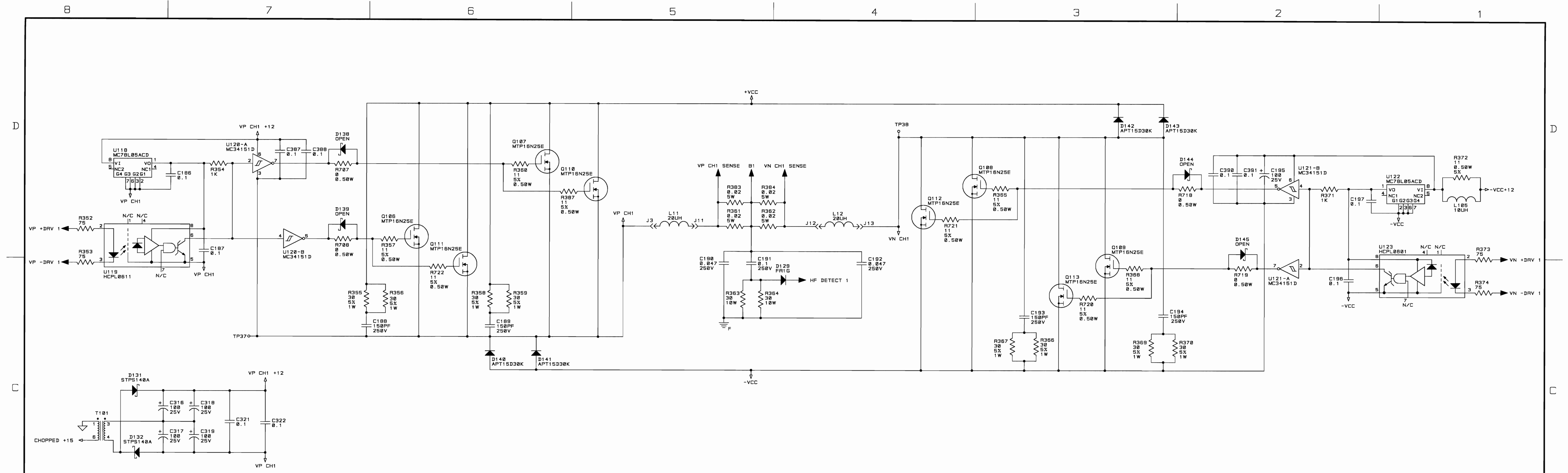
INACTIVE
For Reference Use Only

WARNING!
UNLESS OTHERWISE NOTED,
ALL SIGNALS ARE PRIMARY
REFERENCED



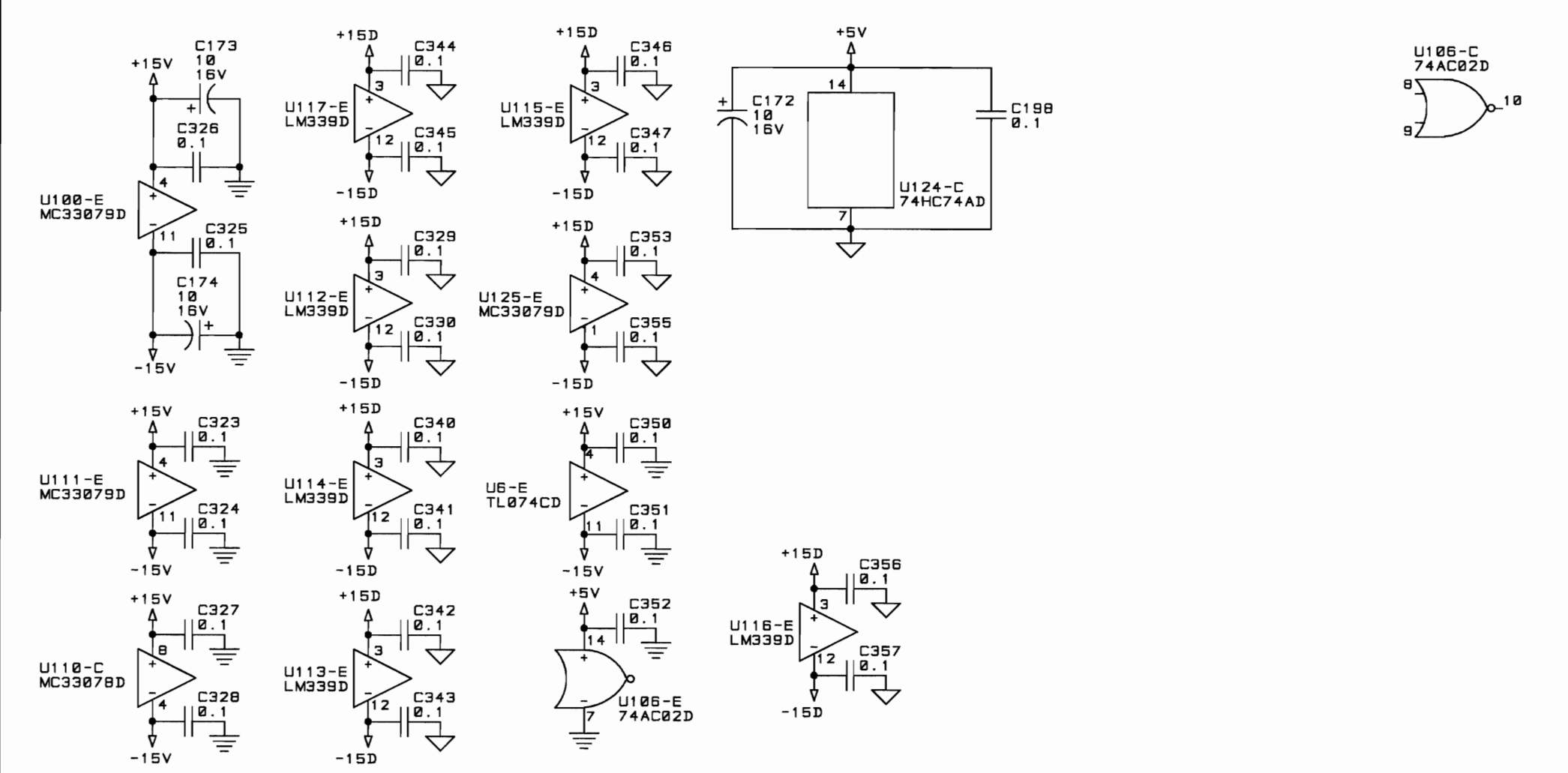
NOTES:
 1. ALL RESISTORS ARE IN OHMS.
 0.1, 10K, 1% UNLESS OTHERWISE SPECIFIED.
 2. ALL CAPACITORS ARE IN MICROFARADS UNLESS OTHERWISE SPECIFIED.

UNCONTROLLED UNLESS OTHERWISE MARKED IN RED INK BY CM AS A CONTROLLED COPY. COPIES OF THESE DOCUMENTS INCLUDING ASSOCIATED ELECTRONIC REPRODUCTIONS ARE FOR REFERENCE ONLY.		THESE DRAWINGS AND SPECIFICATIONS ARE THE PROPERTY OF CROWN INTERNATIONAL, INC. AND SHALL NOT BE REPRODUCED, COPIED, OR USED AS THE BASIS FOR THE MANUFACTURE OR SALE OF APPARATUS OR DEVICES WITHOUT PERMISSION.		SIZE DWG NO. D 126218-14	REV A
SCALE	NONE	PROJ. NO.	MD425D8	SHEET 43 OF 48	



CHANNEL 1 BYPASS CAPACITORS

CHANNEL 1 UNUSED ELEMENTS



D

C

B

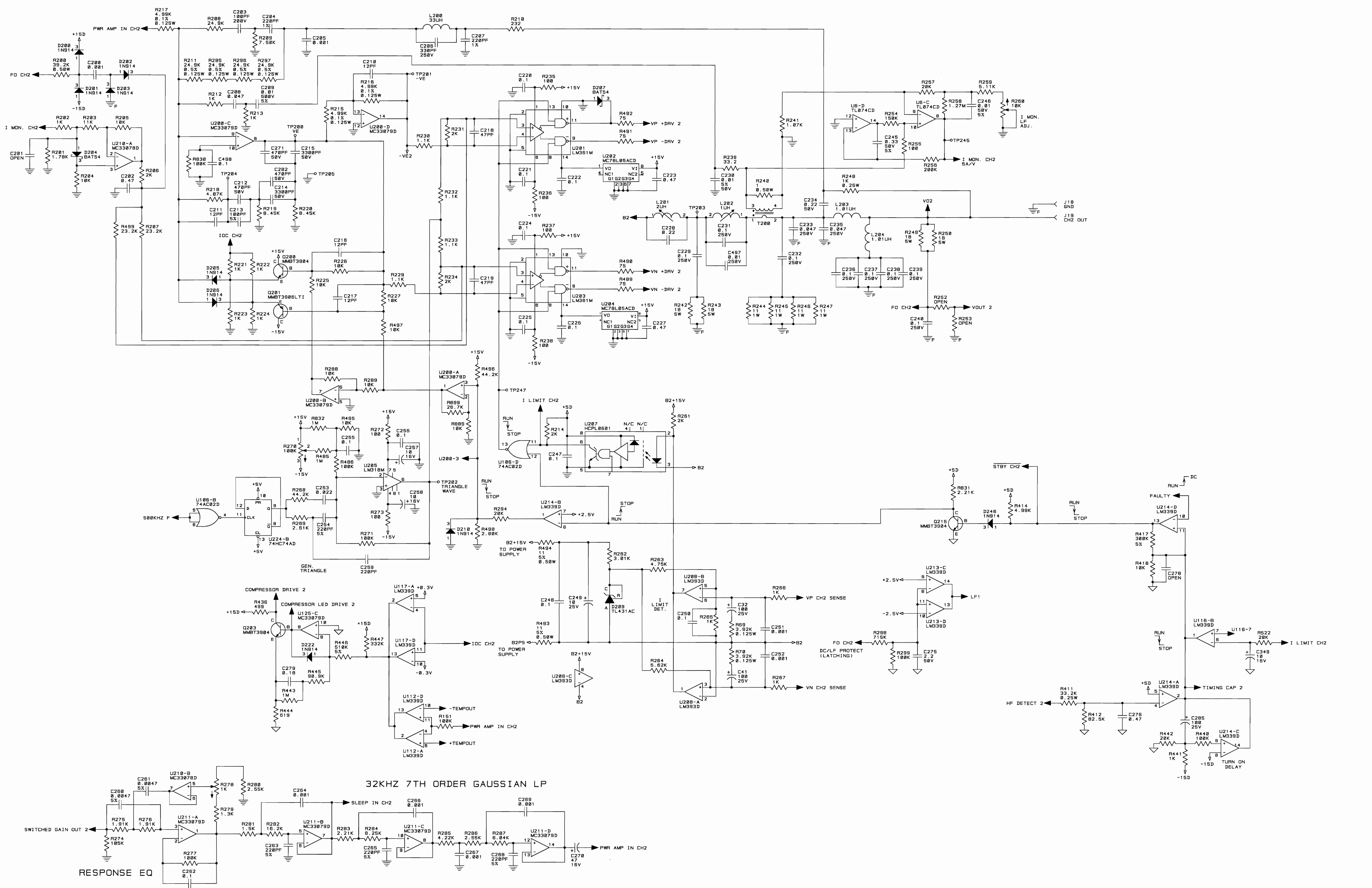
A

D

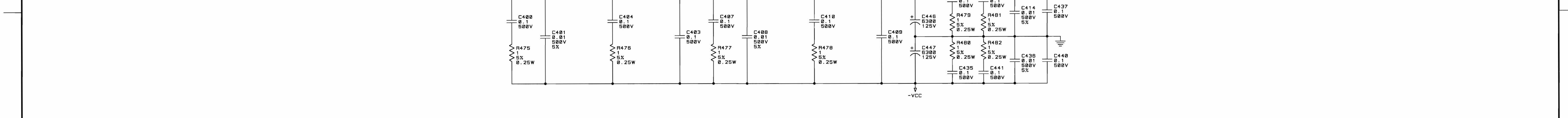
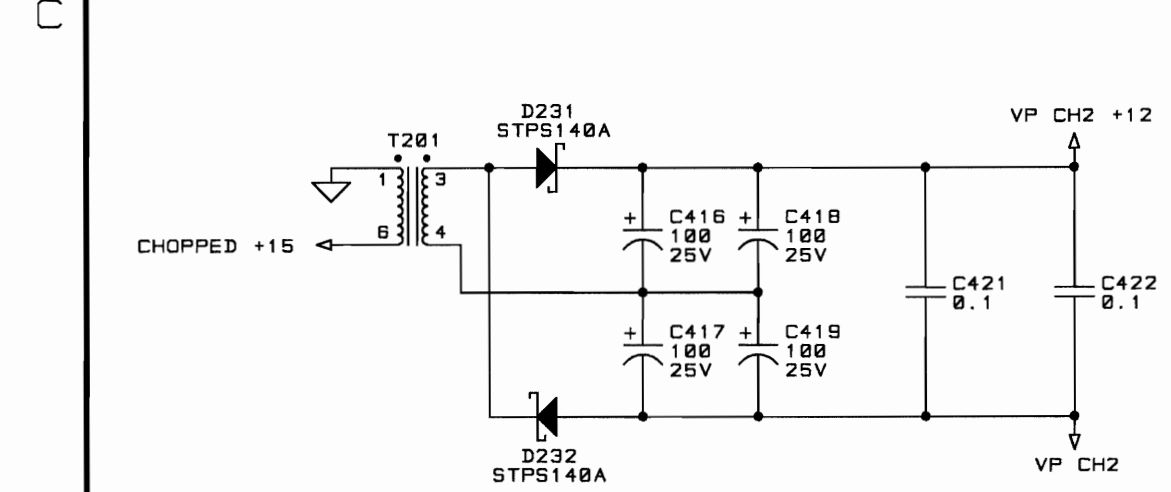
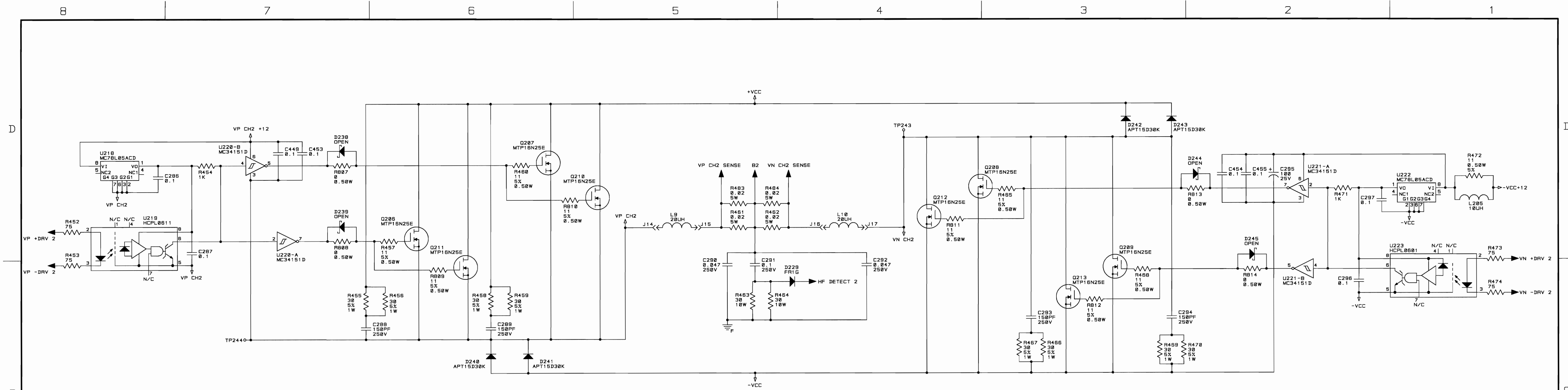
C

B

A

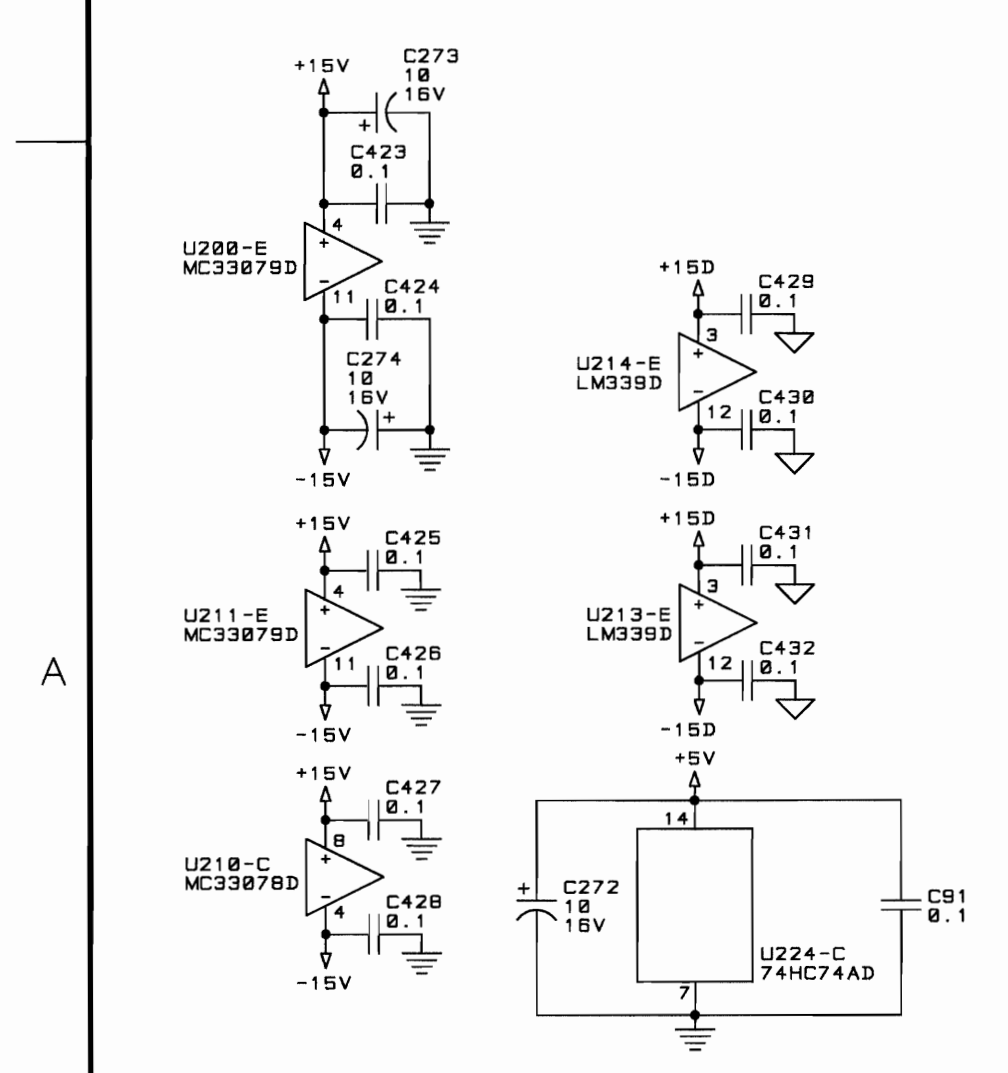


UNCONTROLLED		THESE DRAWINGS AND SPECIFICATIONS ARE THE PROPERTY OF CROWN INTERNATIONAL, INC. AND SHALL NOT BE REPRODUCED, COPIED, OR USED AS THE BASIS FOR THE MANUFACTURE OR SALE OF APPARATUS OR DEVICES WITHOUT PERMISSION.		SIZE DWG NO.	126218-14	REV	A
SCALE	NONE	PROJ NO.	MD425DB	SHEET	45 OF 48		



CHANNEL 2 BYPASS CAPACITORS

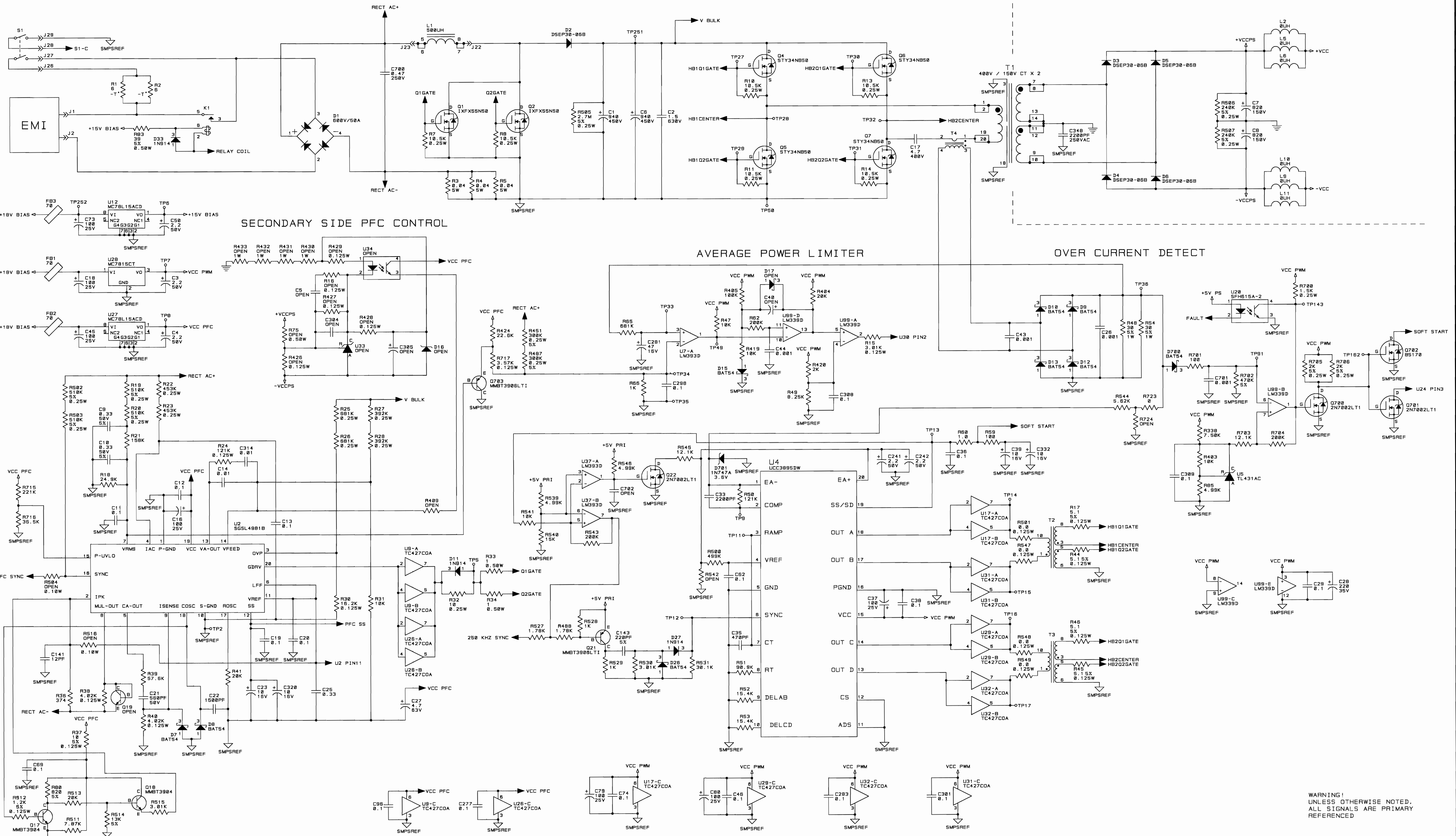
CHANNEL 2 UNUSED ELEMENTS

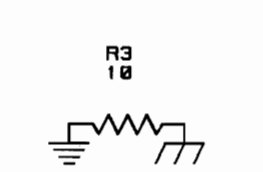
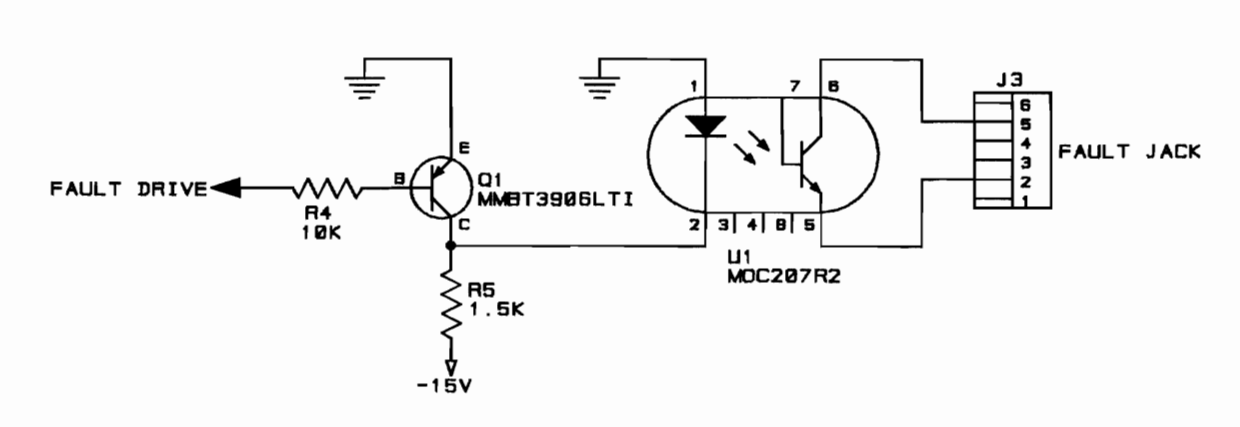
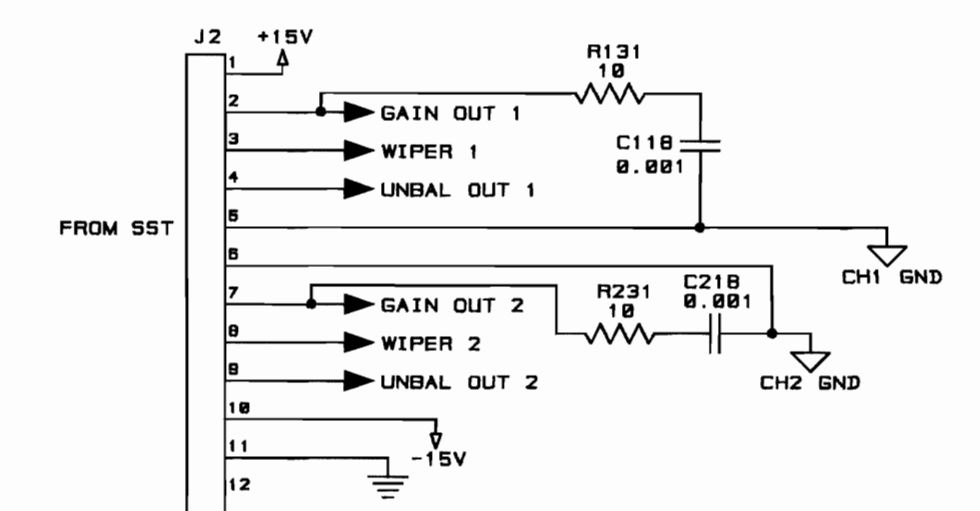
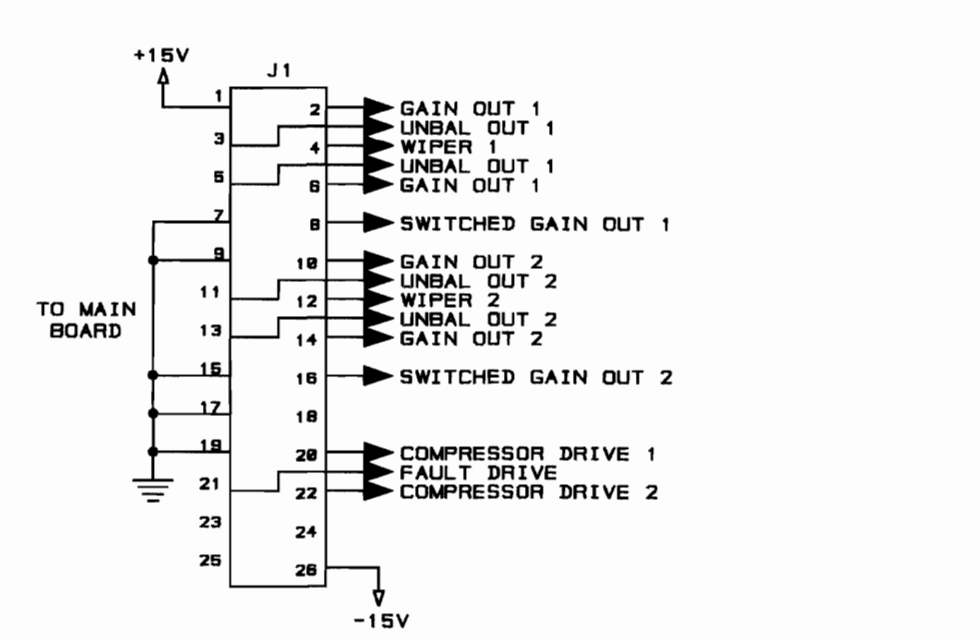
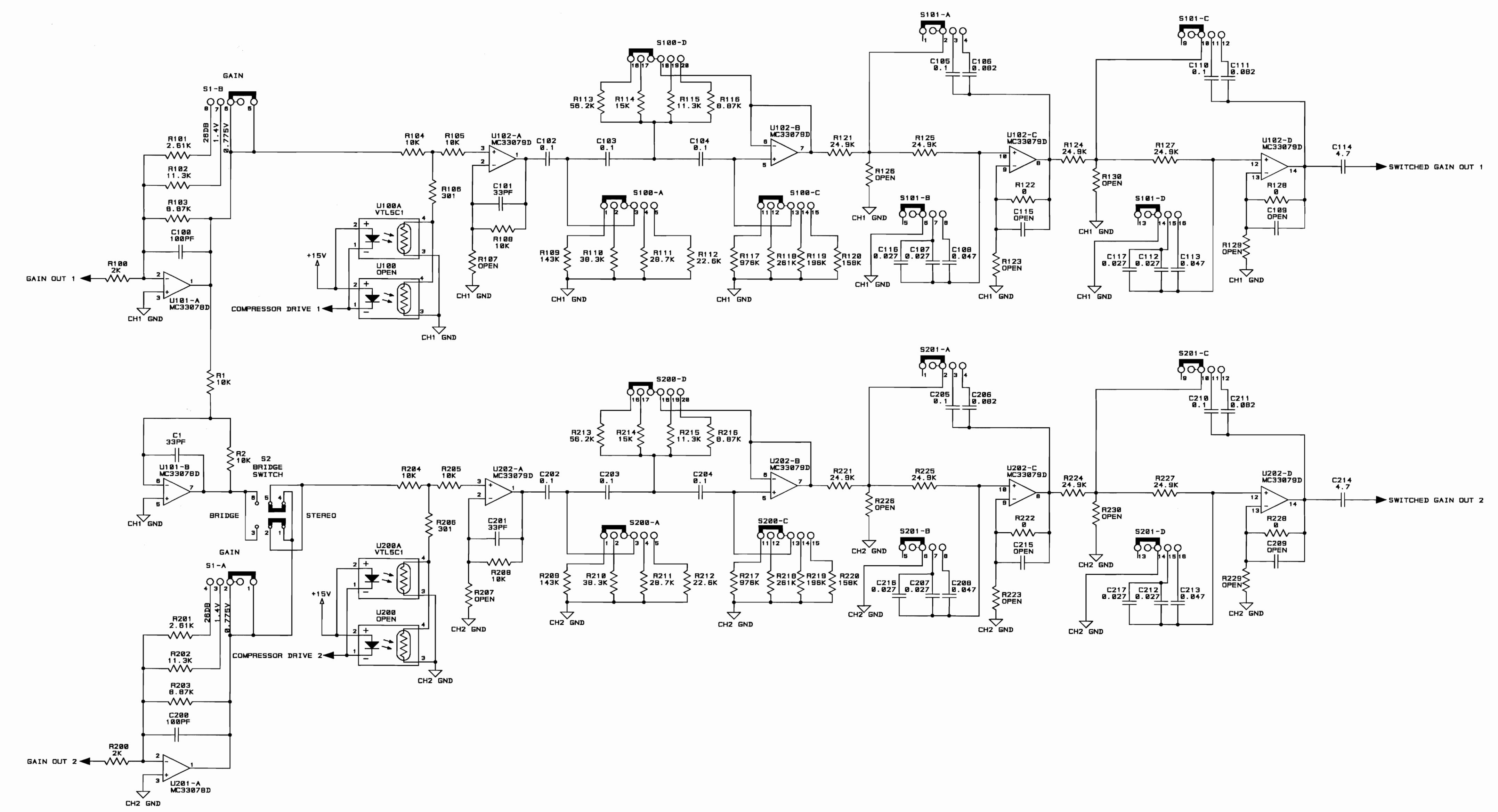


UNCONTROLLED		THESE DRAWINGS AND SPECIFICATIONS ARE THE PROPERTY OF CROWN INTERNATIONAL, INC. AND SHALL NOT BE REPRODUCED, COPIED, OR USED IN ANY MANNER WITHOUT THE WRITTEN PERMISSION OF CROWN INTERNATIONAL, INC.		SIZE	DWG NO.	REV
UNLESS OTHERWISE MARKED IN RED INK BY CM AS A CONTROLLED COPY, COPIES OF THESE DOCUMENTS INCLUDING ASSOCIATED ELECTRONIC REPRODUCTIONS ARE FOR REFERENCE ONLY.		SCALE NONE		PROJ. NO.	MD425D0	SHEET 46 OF 48
				126218-14		A

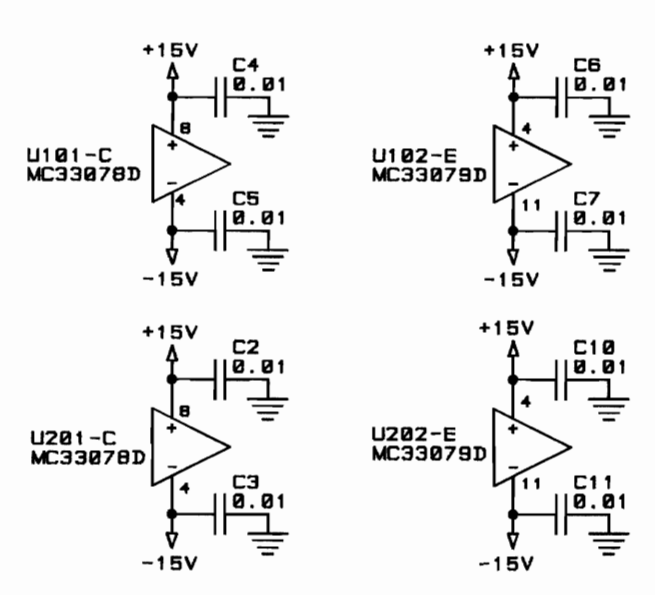
PRIMARY

SECONDARY

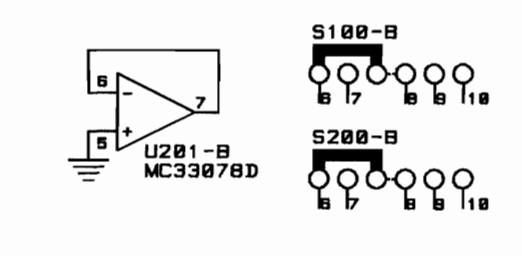




BYPASS CAPACITORS



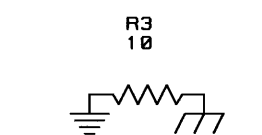
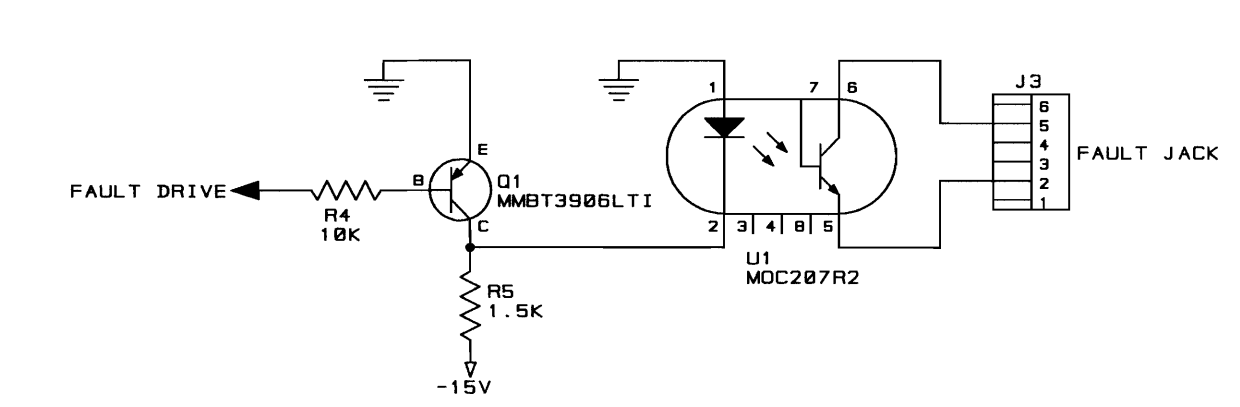
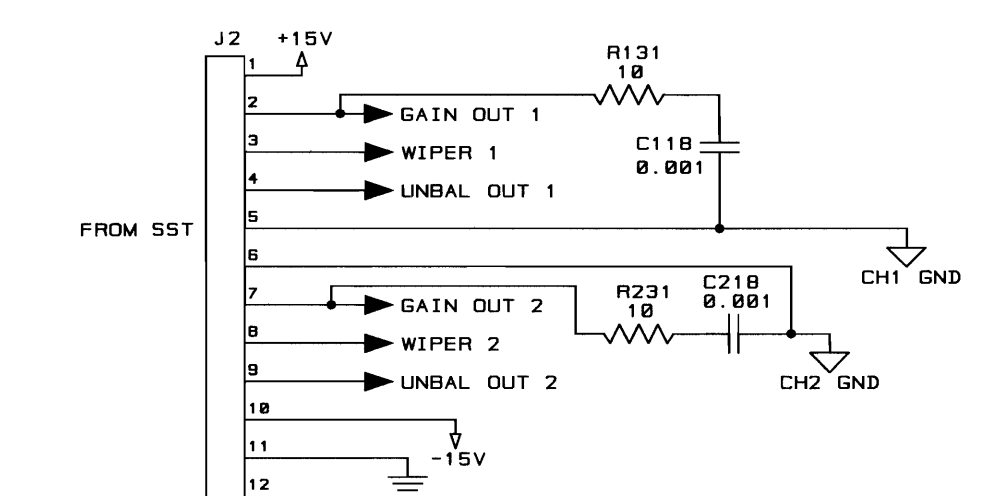
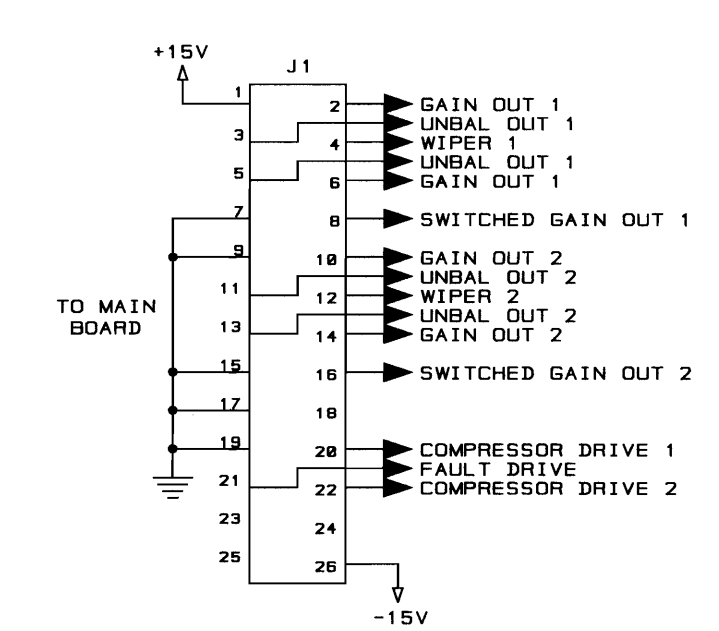
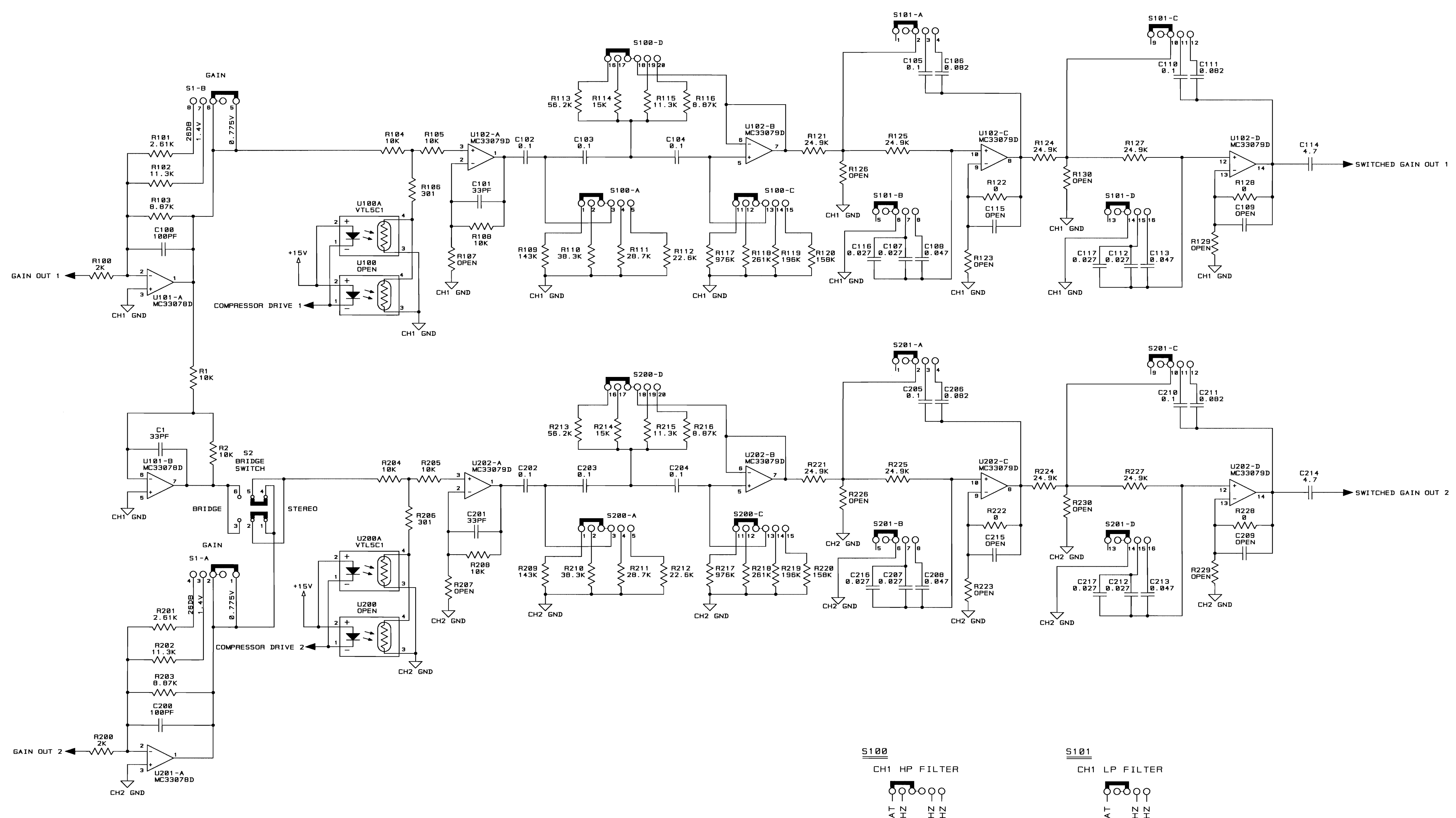
UNUSED ELEMENTS



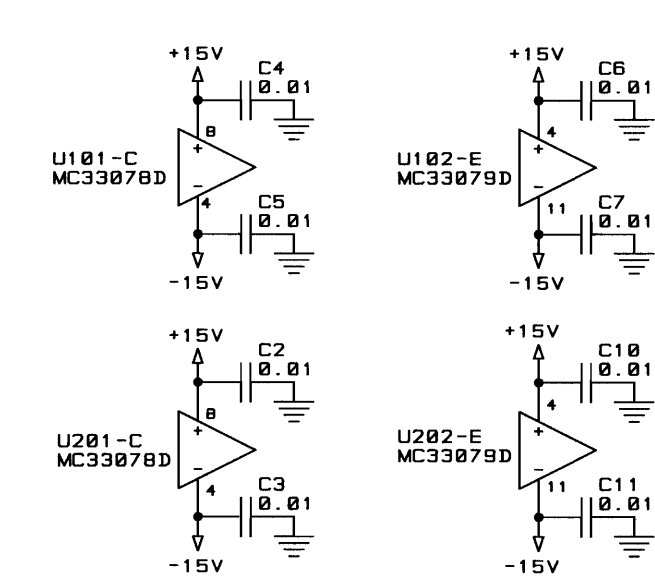
NOTES:
 1. ALL RESISTORS ARE IN OHMS. 0.10W, 1% UNLESS OTHERWISE SPECIFIED.
 2. ALL CAPACITORS ARE IN MICROFARADS UNLESS OTHERWISE SPECIFIED.

D

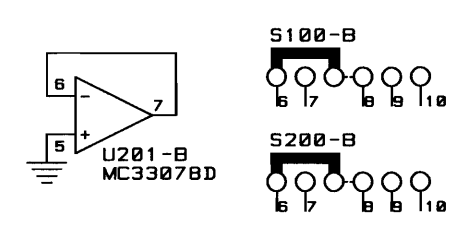
D



BYPASS CAPACITORS



UNUSED ELEMENTS



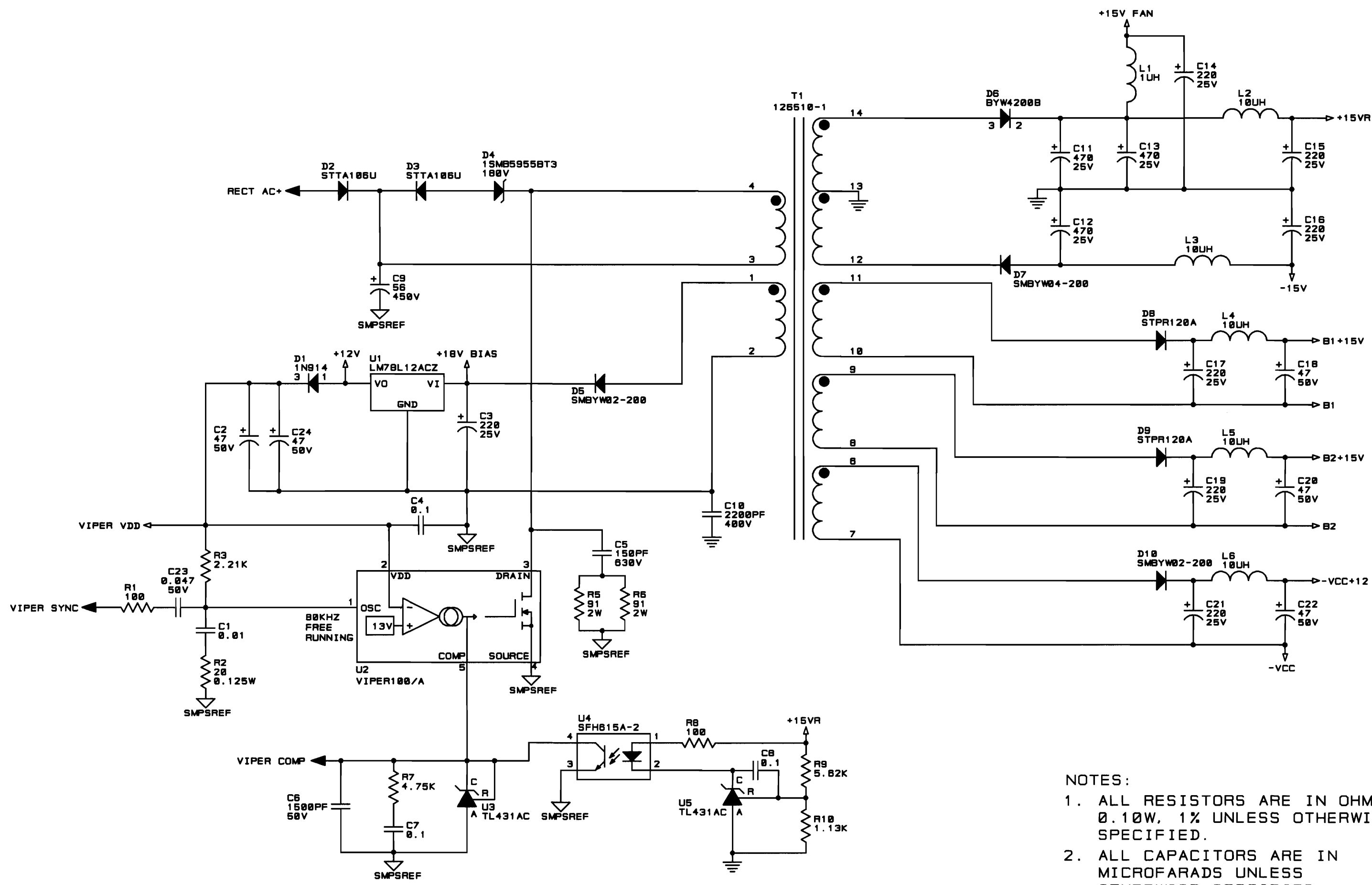
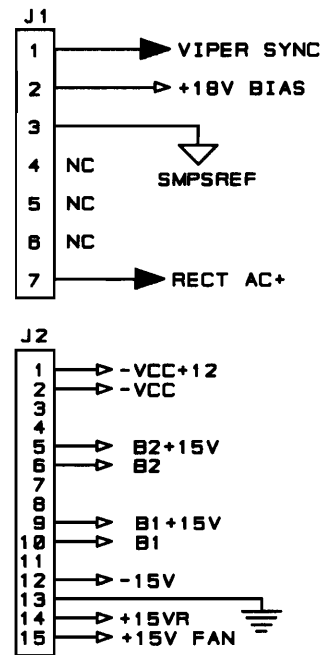
- NOTES:
1. ALL RESISTORS ARE IN OHMS. 0.10W, 1% UNLESS OTHERWISE SPECIFIED.
 2. ALL CAPACITORS ARE IN MICROFARADS UNLESS OTHERWISE SPECIFIED.

CE4000 BFG

UNCONTROLLED UNLESS OTHERWISE MARKED IN RED INK BY CM AS A CONTROLLED COPY. COPIES OF THESE DOCUMENTS INCLUDING ASSOCIATED ELECTRONIC REPRODUCTIONS ARE FOR REFERENCE ONLY.	SIZE	DWG NO.	REV
	D	126828-13	B
SCALE	NONE	PROJ. NO.	MD425D8
		SHEET	9 OF 9

A

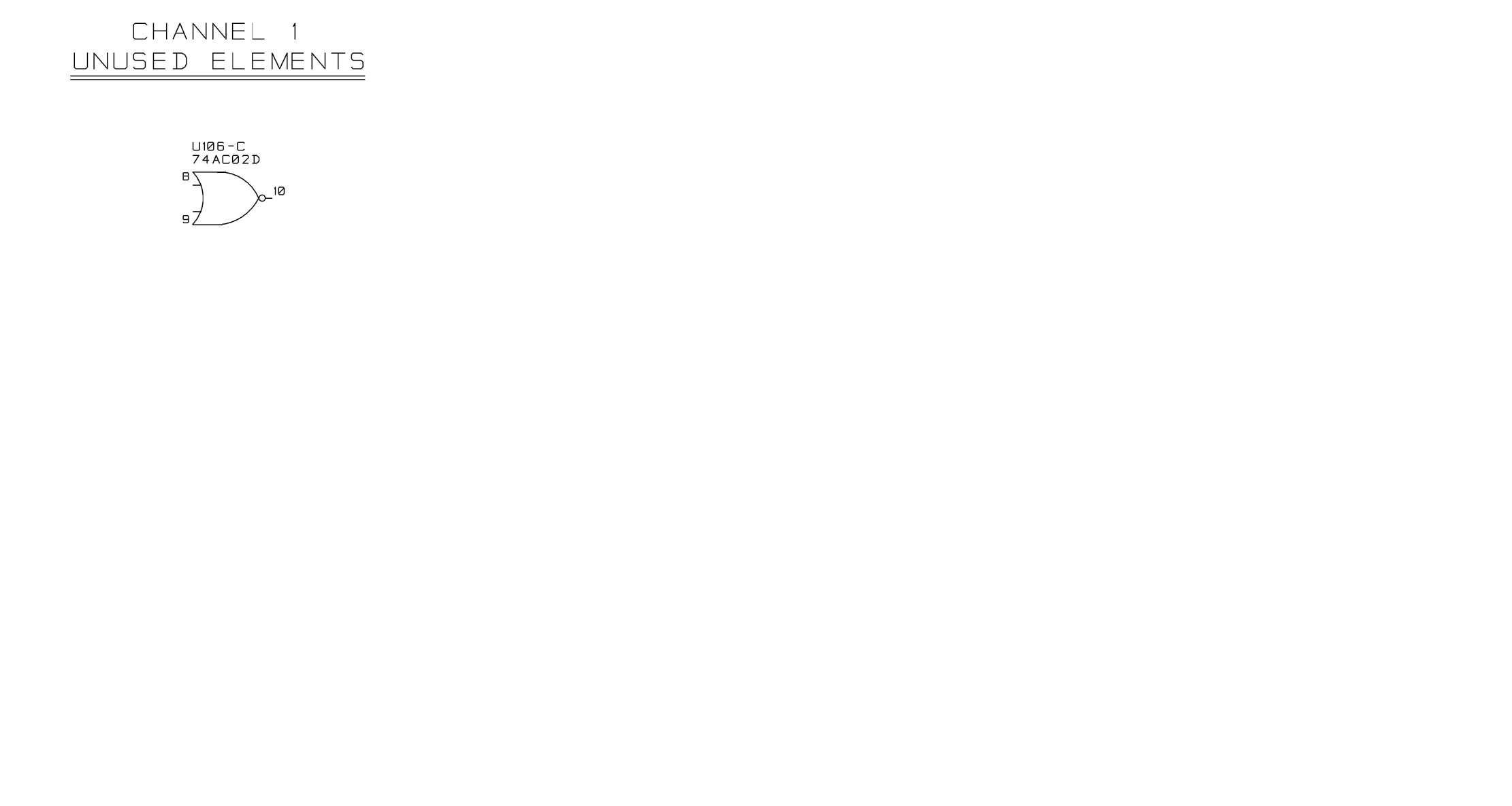
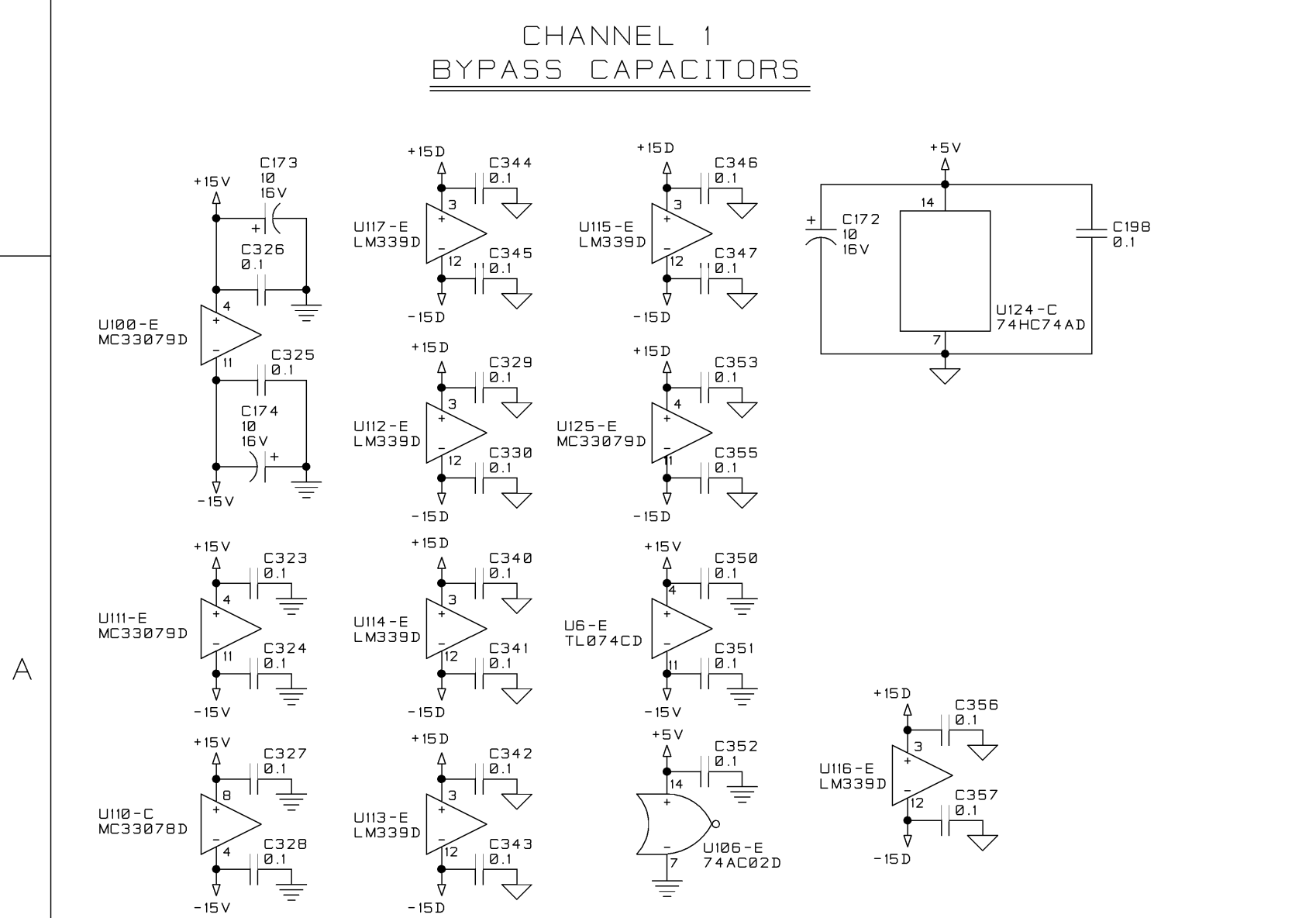
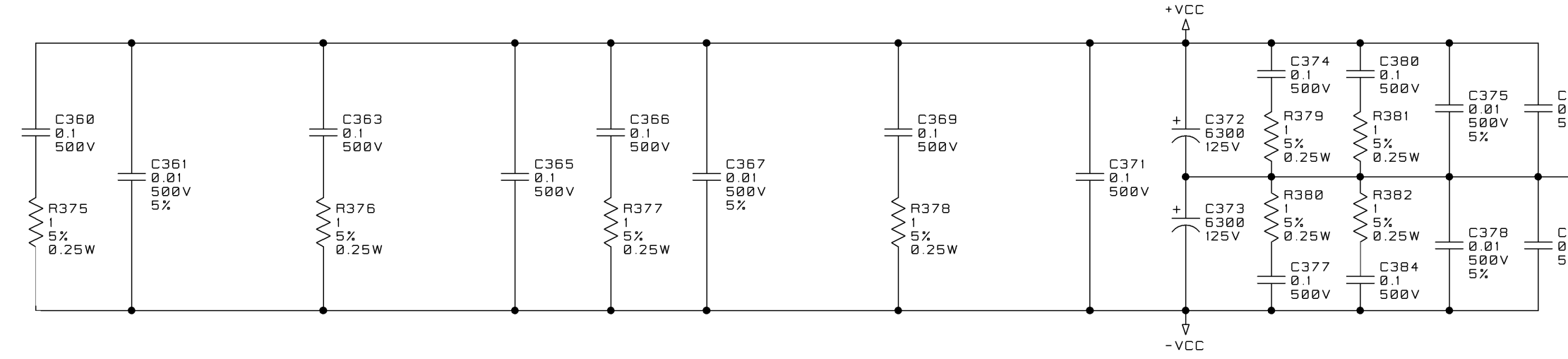
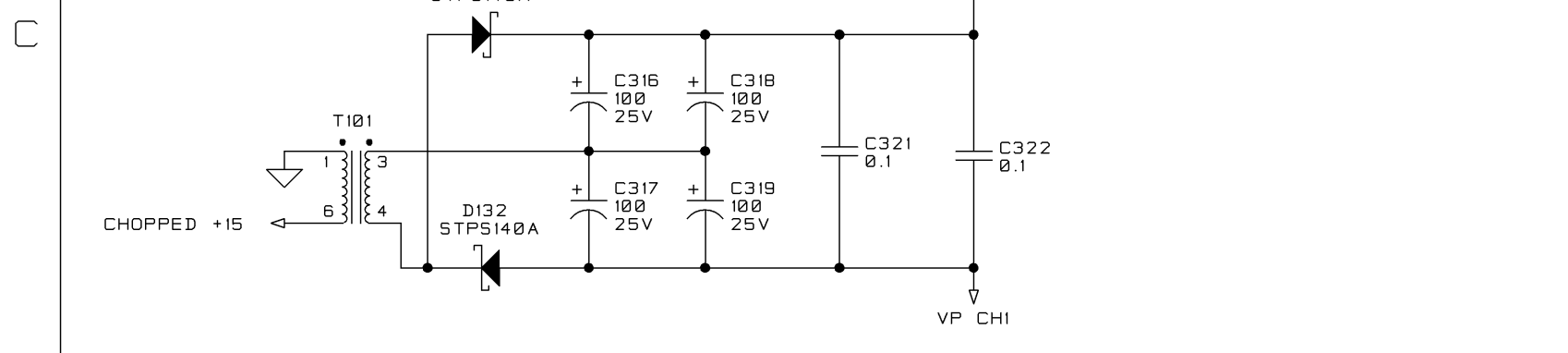
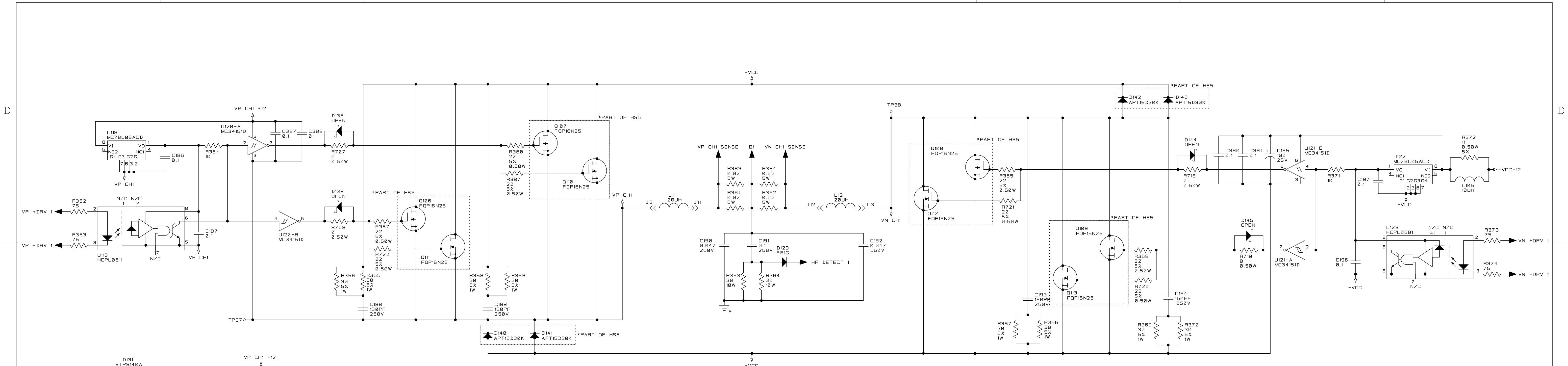
A

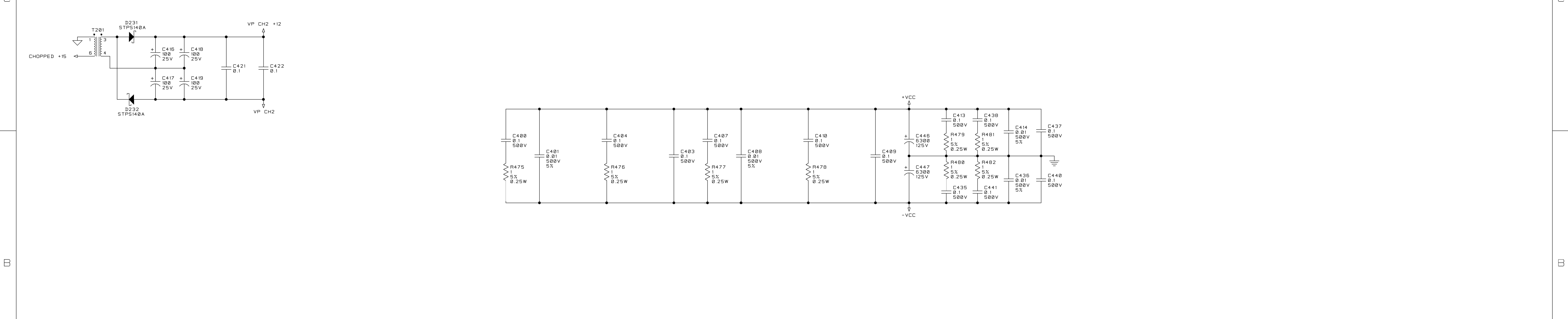
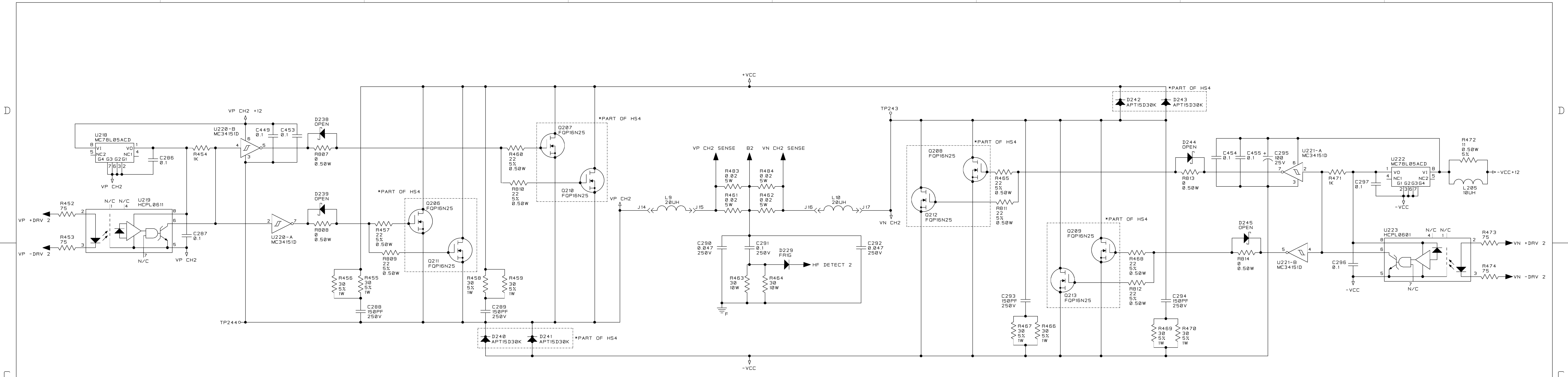


- NOTES:
1. ALL RESISTORS ARE IN OHMS. 0.10W, 1% UNLESS OTHERWISE SPECIFIED.
 2. ALL CAPACITORS ARE IN MICROFARADS UNLESS OTHERWISE SPECIFIED.

LAST USED	NOT USED
C22	
R10	
L6	
D10	
T1	
J2	
U5	

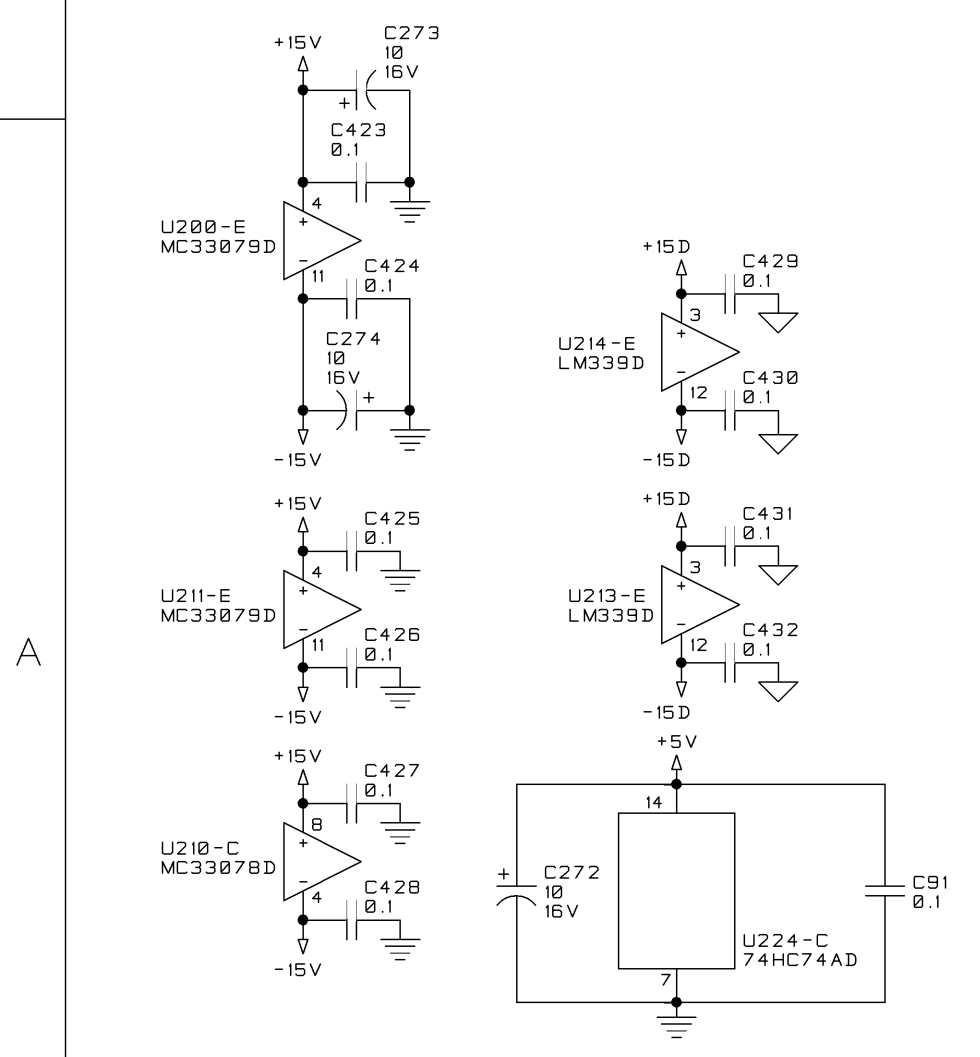
UNCONTROLLED		THESE DRAWINGS AND SPECIFICATIONS ARE THE PROPERTY OF CROWN INTERNATIONAL, INC. AND SHALL NOT BE REPRODUCED, COPIED, OR USED AS THE BASIS FOR THE MANUFACTURE OR SALE OF APPARATUS OR DEVICES WITHOUT PERMISSION.	SIZE DWG NO. 127027-6	REV A
UNLESS OTHERWISE MARKED IN RED INK BY CM AS A CONTROLLED COPY, COPIES OF THESE DOCUMENTS INCLUDING ASSOCIATED ELECTRONIC REPRODUCTIONS ARE FOR REFERENCE ONLY.			SCALE NONE	PROJ NO. MD425DB





CHANNEL 2
BYPASS CAPACITORS

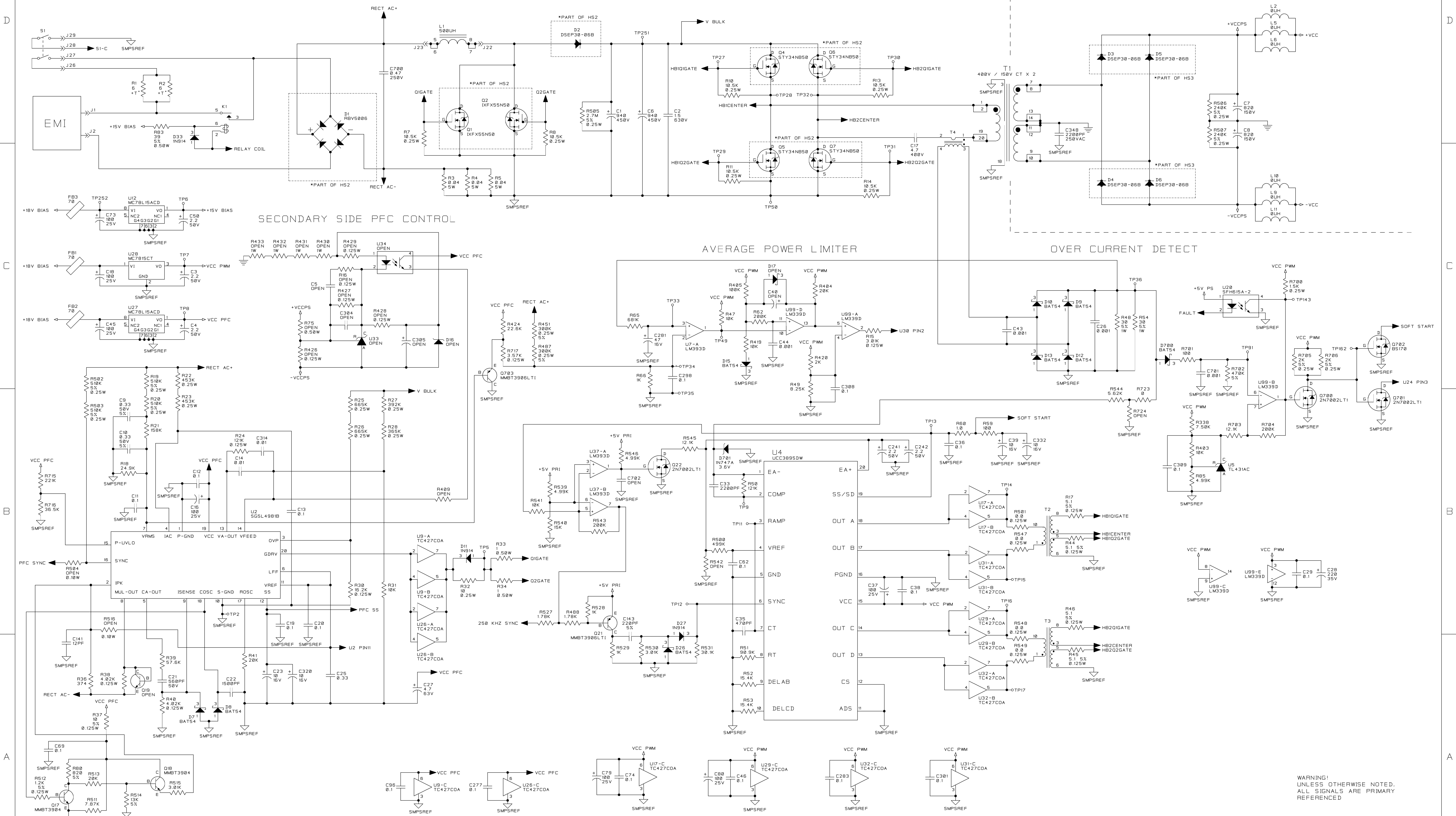
CHANNEL 2
UNUSED ELEMENTS



UNCONTROLLED UNLESS OTHERWISE MARKED IN RED INK BY CM AS A CONTROLLED COPY. COPIES OF THESE DOCUMENTS INCLUDING ASSOCIATED ELECTRONIC REPRODUCTIONS ARE FOR REFERENCE ONLY.		THESE DRAWINGS AND SPECIFICATIONS ARE THE PROPERTY OF CROWN INTERNATIONAL, INC. AND SHALL NOT BE REPRODUCED, COPIED, OR USED AS THE BASIS FOR THE MANUFACTURE OR SALE OF APPARATUS OR DEVICES WITHOUT PERMISSION.		SIZE D	DWG. NO. 126218-17	REV A
SCALE NONE	PROJ. NO. MD425DB	SHEET 6 OF 6				

PRIMARY

SECONDARY



WARNING!
UNLESS OTHERWISE NOTED,
ALL SIGNALS ARE PRIMARY
REFERENCED

UNCONTROLLED UNLESS OTHERWISE MARKED BY RED INK BY CM AS A CONTROLLED COPY. COPIES OF THESE DOCUMENTS INCLUDING ASSOCIATED ELECTRONIC REPRODUCTIONS ARE FOR REFERENCE ONLY.		THESE DRAWINGS AND SPECIFICATIONS ARE THE PROPERTY OF CROWN INTERNATIONAL, INC. AND SHALL NOT BE REPRODUCED, COPIED, OR USED AS THE BASIS FOR THE MANUFACTURE OR SALE OF APPARATUS OR DEVICES WITHOUT PERMISSION.		SIZE D	DWG. NO. 126218-17	REV A
SCALE	NONE	PROJ. NO.	MD425DB	SHEET 7 OF 8		

